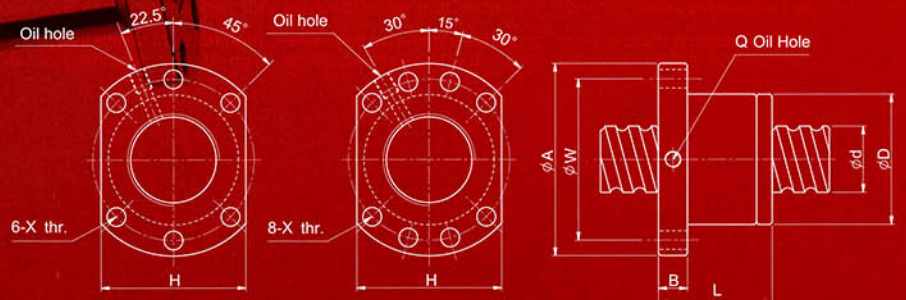




# Wei Tai Transmission Co., Ltd.

We Speed up the Lead That Drive Commerce

[www.weitaitransmission.com](http://www.weitaitransmission.com)



## Company Info

Globe Sales Contact: Elisha Chen  
[service@weitaitransmission.com](mailto:service@weitaitransmission.com)



@WeiTaiTaiwan



+886-900-282-524



ElishaChen12



## About us

Wei Tai Transmission Company is an over 17 year's established professional ball screw solution manufacturer, held by Taiwanese and Japanese developer team, our region headquarter located in Taiwan; manufacturer production center located in China. We are welcome your visiting our facility with ISO 9001 recognition, material record control, QA precision manufacturer steps and price friendly. This is how Wei Tai Transmission Company been a successful support for its customers through all the time.

### Facility Capability:(Aug.2019)

- \*54 Production line, 24hr on duty.  
(In the end of 2019 will expand for other 30 production lines, for about 84 production lines in total.)
- \*Monthly production capacity about 50K per month.
- \*ISO 9001 certificated.
- \*Meet the international standard of DIN 69051, GB/T17587 and JIS C5, etc.
- \*Development on Micro Ball Screw solution and long lead ball screw design.
- \*Custom Ball Screw Development and Design.

## Achievement

(Aug.2019)

- \*ISO 9001 Factory Criterion
- \*Over 20 Patten registration
- \*84 production line (in the end of 2019)
- \*Over 90 series production.
- \*Micro Ball Screw series in mass production.
- \*Long lead series development.

## Contact Us





**ISO 9001**



Zhongren Certification Co., Ltd.

## QMS CERTIFICATION OF REGISTRATION

Certification No.: 27319Q20136R0S

Awarded to

**Shenghan Technology (Shenzhen) Co., Ltd.**

Unified social credit code: 91440300573121539W

Registration Add.: First floor, 5 rows, Xinqiao second Industrial Zone, Shajing Street, Baoan District, Shenzhen City

Office Add.: First floor, 5 rows, Xinqiao second Industrial Zone, Shajing Street, Baoan District, Shenzhen City, Guangdong Province

Business Add.: First floor, 5 rows, Xinqiao second Industrial Zone, Shajing Street, Baoan District, Shenzhen City, Guangdong Province

Post Code: 518000

**The Quality Management System of the above organization has been assessed and found to be in accordance with the requirements of the standard:**

**GB/T19001-2016 idt ISO9001: 2015**

**Certification Scope of the Management System**

**Nut production**

Validity of the certificate, certified organizations subject to supervision and review at least once a year, after the examination and approval, the organization updates the two-dimensional code information. Issuance of certificates of conformity for supervision and audit. The certificate information is available at the Certification and Accreditation Regulatory Commission official website ([www.cnca.gov.cn](http://www.cnca.gov.cn)) query, but also through the company's website ([www.zrcn.com](http://www.zrcn.com)) query.



First certified date : Mar.18, 2019

Date of Issued : Mar.18, 2019

Valid date : Mar.17, 2022



Zhongren Certification Co., Ltd.

Issued by : *Haibo che*

Address : Room 1413, Floor 14, Building 3, No. 1 Shujin Road, Qingyang District, Chengdu

Tel : 400-025-9001

## Contact Us







**Wei Tai Transmission Co., Ltd.**

We Speed up the Lead That Drive Commerce

[www.weitaitransmission.com](http://www.weitaitransmission.com)

## HQ, TAIWAN

Wei Tai Transmission Company || 緯泰傳動股份有限公司

Tax number:52887839

No. 214-3, Zhoumei St., Beitou Dist.,  
Taipei City 112, Taiwan (R.O.C.)

Phone:+886-900-282-524

Websites:[www.weitaitransmission.com](http://www.weitaitransmission.com)

E-mail:[service@weitaitransmission.com](mailto:service@weitaitransmission.com)

## MP & Shipping Arrange, Shajing

Shenghan Technology(Shenzhen)Co., Ltd.

Regetration No:440306503399042

No. 13, Baisha road, Shajing new bridge, No.2 industrial district, Baoan district,  
Shenzhen city, China.



## Contact Us

Globe Sales Contact: Elisha Chen  
[service@weitaitransmission.com](mailto:service@weitaitransmission.com)



@WeiTaiTaiwan



+886-900-282-524



ElishaChen12