



► **NAILS**

PowerNailGlobal

CHINA · LINYI

Linyi Power Metal Products Co., Ltd

BUILDING 1, JINSHUIWAN, CHANGSHA STREET, LANSHAN DISTRICT,
LINYI CITY, SHANDONG PROVINCE, CHINA

EMAIL : info@powernailglobal.com

WECHAT/WHATSAPP : +86 17762061175 (Felix Fu)

+86 17362238613 (Luna Liu)

WEBSITE: www.powernailglobal.com

ALIBABA SHOP: <https://linyixingshuo.en.alibaba.com/>

| Content

• ABOUT US.....	3
• MAIN PRODUCTS.....	4
• PACKAGING & SHIPPING.....	5
• 1.COMMON NAILS.....	6
• 2.FELT CLOUT NAILS.....	8
• 3.CONCRETE STEEL NAILS.....	10
• 4.SHOE TACKS.....	12
• 5.LOST HEAD NAILS.....	14
• 6.DUPLEX HEAD NAILS.....	16
• 7.U TYPE NAILS.....	18
• 8.BOAT NAILS.....	20
• 9.ROOFING NAILS.....	22
• 10.TWISTED NAILS.....	26
• 11.CUT HEAD NAILS.....	28
• 12.RING SHANK NAILS.....	30
• 13.BLACK LARGE HEAD NAILS.....	32



| ABOUT US

- Linyi Power Metal Products Co., Ltd pursues both high-quality products and top-notch service for customers. Linyi Power is engaged in the trade of hardware products. Unlike other trading companies, Linyi Power has its own factory and is a major manufacturer and supplier of metal nails, fasteners and metal wire products, with over 30 years of production experience.
- Our 10,000-square-meter factory and 3,000-square-meter warehouse ensure efficient inventory management and quick delivery. We invest in high-speed production equipment annually. With 150+ workers and 20+ tech staff, our annual metal nail output hits 30,000 tons. Our standardized production, fast delivery, and strict quality control guarantee product quality.
- Our Main Products: **common nails, shoe tacks, boat nails, felt clout nails, roofing nails, concrete steel nails, bullet head nails, screw nails, cut head tacks...**
- After decades of dedicated efforts, we've built extensive partnerships in China, providing one-stop metal product services. Our products are exported to Southeast Asia, South America, and Africa..., earning high praise. Linyi Power is dedicated to learning, talent development, innovation, and quality improvement, aiming to be your reliable partner. We sincerely hope to cooperate and welcome your inquiries!





MAIN PRODUCTS



PACKAGING & SHIPPING

- Kraft cartons, color boxes, wooden boxes, pallets, woven bags, customized packaging is available



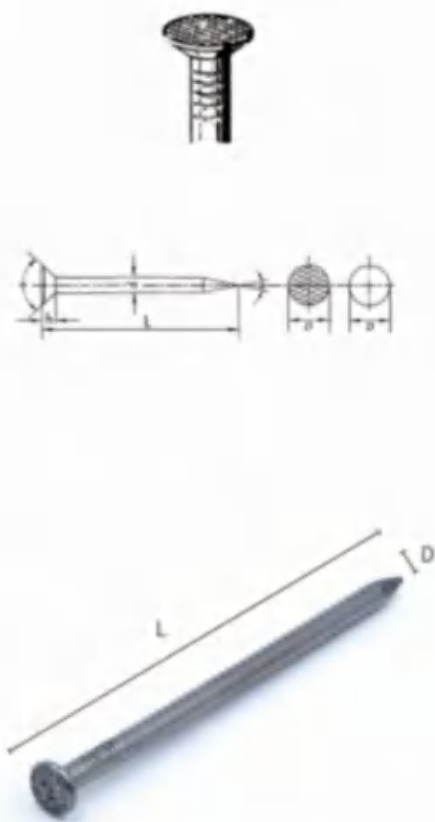
I 1.COMMON NAILS

Common wire nails/wire nails/iron nails/wood nails

- **Material:** Q195, Q235 or according to request
- **Finish:** Polished, galvanized /E.G or hot dipped galvanized/H.D.G.
- **Size:** 3/8"-8"
- **Head:** Checkered head, flat head
- **Shank:** Plain shank, twisted shank
- **Point:** Diamond point
- **Usage:** For construction, carpentry and farming.
- **Packing:** 1kg/bag, 25bags/carton, loose carton, loose bag or as your required



Common Wire Nails, Checkered Countersunk Head



SIZE	LENGTH	DIAMETER	KG/1000 PCS	PCS/1KGS
INCH X BWG	MM	MM		
3/8X20	9.52	0.89	0.046	21730
1/2X19	12.70	1.07	0.088	11360
5/8X18	15.87	1.25	0.152	6580
3/4X17	19.05	1.47	0.25	4000
1X16	25.40	1.65	0.42	2380
1-1/4X15	31.75	1.83	0.65	1540
1-1/2X14	38.10	2.11	1.03	971
1-3/4X13	44.45	2.41	1.57	637
2X12	50.80	2.77	2.37	422
2-1/2X11	63.50	3.05	3.58	279
3X10	76.20	3.40	5.35	187
3-1/2X9	88.90	3.76	7.65	131
4X8	101.66	4.19	10.82	92.4
4-1/2X7	114.30	4.57	14.49	69.0
5X6	127.00	5.16	20.53	48.7
6X5	152.40	5.59	28.93	34.5
7X4	177.80	6.05	40.32	24.8

FEATURE:

- Most popular & versatile fasteners for indoor finishing.
- Strong and stiff for medium & heavy projects.
- Great holding power and resistance to bending.
- Large & flat head can flush with the material's surface.
- Smooth shank for easy operation.
- Complete gauges, lengths, and sizes are available.



I 2.FELT CLOUT NAILS

Flat head roofing nails/ceiling nails/clout nails/roofing nails big flat head felt nails

- **Material:** Q195, Q235 or according to request
- **Finish:** Polished, galvanized or hot dipped galvanized
- **Head:** Big flat head
- **Shank:** Plain shank
- **Point:** Diamond point
- **Sizes:** 3/4", 1", 1-1/4", 1-1/2", 2"
- **Packing:** In box, plastic bag, carton, etc.



SIZE	L(mm)	D(mm)	SHANK	FINISH
3/4"	19	2.8/3.0	Smooth/Barbed	E.G./HDG/Polished
1"	25	2.8/3.0	Smooth/Barbed	E.G./HDG/Polished
1-1/4"	32	2.8/3.0	Smooth/Barbed	E.G./HDG/Polished
1-1/2"	38	2.8/3.0	Smooth/Barbed	E.G./HDG/Polished
2"	50	2.8/3.0	Smooth/Barbed	E.G./HDG/Polished

FEATURE:

- Suitable for use with both soft and hard wood.
- Large flat head is flush with the material.
- Twist ring shanks offer excellent withdrawal resistance.
- Various surface coatings for increased durability.
- Can be collated for pneumatic nail gun operation.
- Various nail shank types for different requirements.



I 3.CONCRETE STEEL NAILS

Concrete nails/ Steel Concrete Nails / Masonry Nails/steel nails/black cement nail

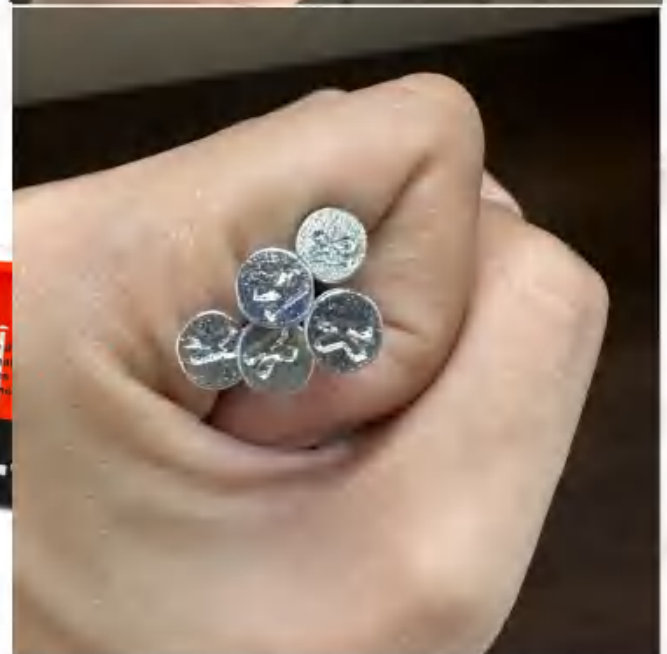
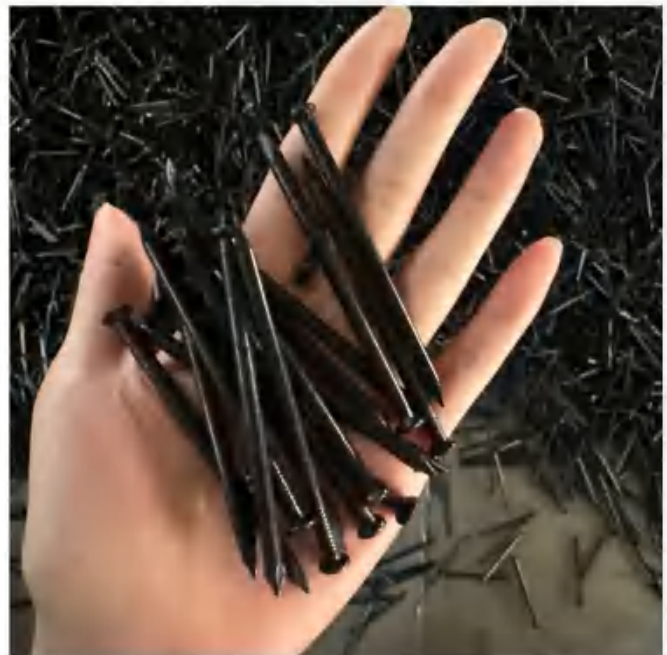
- **Materials:** Carbon steel 45# 55# 60#
- **Finish:** Electro galvanized, Black finish
- **Head:** Countersunk Plain head, oval head, or according to request
- **Head diameter:** 0.051" – 0.472"
- **Shank:** Smooth shank, spiral shank
- **Shank Diameter:** 5–20 gauge
- **Point:** Diamond or blunt
- **Hardness:** > HRC 50°
- **Shear strength:** $t \geq 980$ MPa
- **Toughness curvature:** ≥ 75 degree
- **Length:** 0.5" – 10"
- **Packing:** by box ,carton, plastic bags, etc .



SIZE	D1(mm)	D2(mm)	L (mm)
8BWG	4.2mm	20	2",2.5",3",3.5",4"
9BWG	3.76mm	20	2",2.5",3",3.5",4"
10BWG	3.4mm	20	2",2.5",3"
11BWG	3.15mm	18	1.5",2",2.5"
12BWG	2.8mm	16	1.5",2"
13BWG	2.4mm	14	1.5",2"

FEATURE:

- Excellent anti-bending, anti-crack performance.
- The fluted shank provides the greatest holding power.
- High resistance to withdrawal.
- Various surface coatings for increased durability.
- Various nail shank types for different requirements.
- USAGE: Suitable for hardwood, brick walls, and cement mortar components. Widely used in civil and military construction of water and electricity installation and decoration.



I 4.SHOE TACKS

Fine Blue Shoe Tack(Three Star Brand)/Shoe Tacks Nails/ Shoe Nails/Decorative Nails/Decorative Upholstery Nails

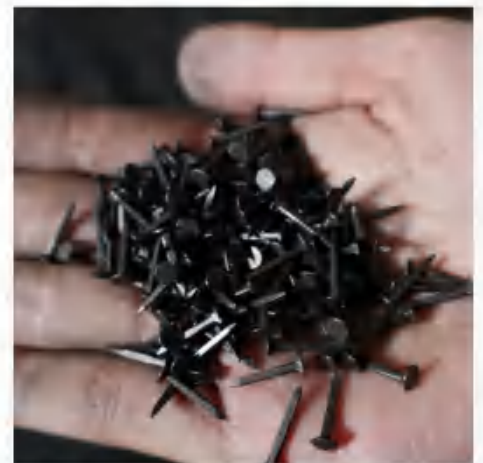
- **Material:** Q195 CARBON STEEL
- **Size:** 3/8", 1/2", 5/8", 3/4", 1", 1-1/4"
- **Head:** Flat round head
- **Finish:** Fine blue
- **Shank:** Smooth
- **USAGE:** Repair shoes and boots, fasten fabrics, leather sofas, soft furniture, etc.
- **Packing:** 1lbs/Box, 56 Boxes/Carton Or 112 Boxes/Wooden Case; or according to buyer request



	Size	D mm	Finish
	3/8"	9.5	blue or white zinc plating
	1/2"	12.7	blue or white zinc plating
	5/8"	16	blue or white zinc plating
	3/4"	19	blue or white zinc plating
	1"	25	blue or white zinc plating
	1-1/4"	32	blue or white zinc plating

FEATURE:

- Made of durable Q195 carbon steel
- Available in multiple sizes
- Flat round head with blue finish
- Ideal for shoe repair and upholstery
- Flexible packaging options.



I 5.LOST HEAD NAILS

Finishing Nails/Lost-head Nails/Headless Nails/Finish nails/Decorative Nails

- **Material:** Q195, Q235
- **Shank:** Smooth
- **Size:** 1"-6"
- **Diameter:** 1.2mm-10mm
- **Point:** Diamond point
- **Head:** Bullet head, lost-head
- **Finish:** Polished, galvanized /E.G or hot dipped galvanized/H.D.G.
- **Usage:** Suitable for installation requiring nail caps to be bured in wood.
- **Packing:** Bulk Packing 25kg/carton; 1kg/polybag,25bags/carton; 5kg/box; pallet packing; 16box/wooden case or as customer's Requirement.



Size	Length (Inch)	D (ASWG)
2D	1	16-1/2
3D	1-1/4	15-1/2
4D	1-1/2	15
5D	1-3/4	15
6D	2	13
8D	2-1/2	12-1/2
9D	2-3/4	12-1/2
10D	3	11-1/2
12D	3-1/4	11-1/2
16D	3-1/2	11
20D	4	10

FEATURE:

- Brad head for a less-visible appearance.
- Smooth shank, diamond point for easier driving.
- Driven by a special tool called a nail set.
- Can be collated for pneumatic nail guns.
- Various corrosion coatings for durability.
- Complete styles, gauges, and sizes are available.



I 6.DUPLEX HEAD NAIL

Double head nails/Formwork nail/Temporary construction nail

- **Material:** Q195, Q235 or according to request
- **Finish:** Polished, galvanized /E.G or hot dipped galvanized/H.D.G.
- **Head:** checkered head, flat head
- **Main Size:** Length from 1-3/4 inch to 3-1/2 inch
- **Diamter of Shank:**11-1/2 Gauge to 8 Guage
- **Shank:** Plain shank
- **Point:** Diamond point
- **Usage:** For construction, carpentry and farming.
- **Packing:** In box, carton, case, plastic bags, etc.



Product Name: Double Hat Nail

Nail diameter: 2.87/3.4/3.76/4.11/4.88mm

Model: 6/8/10/12/16/20D

Length: 54/67/81/85/89/100mm

Product colors: Primary colors, galvanized, and customized

Material : Q195, Q235

Descr : Customized

FEATURE:

- Double head design for easy removal after temporary use
- Strong holding power, ideal for formwork and scaffolding
- Smooth or galvanized finish for rust resistance
- Reusable and efficient, perfect for repeated construction tasks
- Available in various sizes (6D–20D or customized)



I 7.U TYPE NAILS

FENCE STAPLE U nails, U Staples

- **MATERIAL:** CARBON STEEL Q195, Q235
- **FINISH:** Polished, galvanized /E.G or hot dipped galvanized/H.D.G.
- **Diameter:** 9–16 gauge
- **Length:** 3/4" –2"
- **Head type:** U shape
- **Shank type:** Smooth or barbed
- **Shank diameter:** 1.0 to 6.5 mm
- **Point:** Diamond point, cut point
- **USAGE:** Generally used for attaching woven wire fence. welded fence and barbed to wooden fence posts. attaching poultry net fencing to wood



L(mm)	D(mm)	INCHXGAUGE
15	1.6	5/8x16
20	2	3/4x14
20	2.65	3/4x12
25	2.65	1x12
30	3.75	1-1/4x9
30	4	1-1/4x8
40	4	1-1/2x8
50	4	2x8
50	5	2x6

FEATURE:

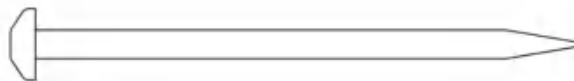
- Designed for gardening & agriculture.
- U shaped head for binding the wires in position.
- Slice cut sharp point for easy operation.
- Great staying power and resistance to bending.
- Polished, copper-plated & galvanized for rust resistance.
- Complete gauges, lengths, and sizes are available.



I 8.BOAT NAILS

Square Boat Nails/Marine Nails/Ship Boat Nails

- **Material:** Q195, Q235, Copper or according to request
- **Shank:** Square
- **Head:** Hexahedron, oval, rose, or flat
- **Length:** 20mm-160mm
- **Diameter:** 5mm-18mm
- **Finish:** polished, galvanized /E.G or hot dipped galvanized/H.D.G.
- **Usage:** Used in wooden boat building and other hardwood construction projects.
- **Packing:** In box, carton, case, plastic bags, etc 20/25 kg per carton or as client requirement.



SIZE	L(mm)	D(mm)	FINISH
1"xBWG11	25	3.0	E.G./HDG/Polished
1.5"xBWG10	38	3.4	E.G./HDG/Polished
2"xBWG12	50	3.2	E.G./HDG/Polished
2.5"xBWG10	63	3.4	E.G./HDG/Polished
3"xBWG8	76	4.2	E.G./HDG/Polished
3.5"xBWG7	89	4.5	E.G./HDG/Polished
4"xBWG6	101	5.2	E.G./HDG/Polished
5"xBWG5	127	5.6	E.G./HDG/Polished
6"xBWG4	152	6.0	E.G./HDG/Polished

FEATURE:

- Made of heavy-duty steel wire.
 - Tapered square nail shank & sharp point.
 - Outstanding durability and holding power.
 - Various corrosion coatings for durability.
 - Great for historic renovation & preservation.
 - Complete styles, gauges, and sizes are available.
-



I 9.ROOFING NAILS

Umbrella Head, Rubber or Plastic Washers are Available

- **Materials:** Q195,Q235 or according to request
- **Finish:** Electro galvanzied, polished, hot dipped galvanized
- **Diameter:** 8–14 gauge
- **Length:** 1-3/4" – 6"
- **Head:** Umbrella, sealed umbrella
- **Head diameter:** 0.55" – 0.79"
- **Shank:** Plain shank, Twisted Shank, Screw Shank, Ring Shank
- **Point:** Diamond Point
- **Usage:** For the connection of timber component and fixation of asbestos shingle and plastic roofing sheet
- **Packing:** In box ,carton ,case , plastic bags ,etc



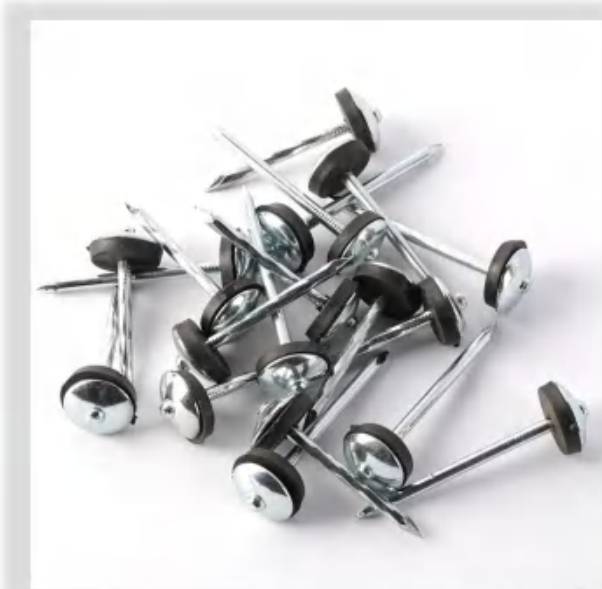
Galvanized Umbrella Head Roofing Nails Twisted Shank / Plain Shank	SIZE	D1(mm)	D2(m m)	L (mm)
	8BWG	4.2mm	20	2",2.5",3", 3.5",4"
	9BWG	3.76mm	20	2",2.5",3", 3.5",4"
	10BWG	3.4mm	20	2",2.5",3"
	11BWG	3.15mm	18	1.5",2",2. 5"
	12BWG	2.8mm	16	1.5",2"
	13BWG	2.4mm	14	1.5",2"

FEATURE:

- Galvanized to reduce rusting
- Large head with a diamond point
- Designed to fix the roofing materials to the wooden base

Galvanized Ring Shank Roofing Nails With Washer, Umbrella Head	SIZE	D1(mm)	D2(mm)	L (mm)
	8BWG	4.2mm	20mm	2", 2.5", 3", 3.5", 4"
	9BWG	3.76mm	20mm	2", 2.5", 3", 3.5", 4"
Galvanized Screw Shank Roofing Nails With Washer, Umbrella Head	SIZE	D1(mm)	D2/D3 (mm)	L (mm)
	7BWG	4.5mm	22/24.5 0mm	3", 3.5", 4"
	8BWG	4.2mm	22/24.5 mm	3", 3.5", 4"
	9BWG	3.76mm	22/24.5 0mm	3", 3.5", 4"

Galvanized Roofing Nails Oval Head Plastic Cap, Screw Shank / Ring Shank	SIZE	D1(mm)	D2(mm)	L (mm)
	8BWG	4.2mm	23.5mm	2", 2.5", 3", 3.5", 4"
	9BWG	3.76mm	23.5mm	2", 2.5", 3", 3.5", 4"



VARIOUS TYPES OF ROOFING NAILS MEET DIFFERENT MARKET NEEDS



I 10.TWISTED NAILS

Spiral Nails/Screw Nails/Thread Nails/Flat Head Screw Nails/Artificial Turf Nails

- **MATERIAL:** CARBON STEEL Q195, Q235
- **FINISH:** Galvanized, Polished
- **Head:** Half round cap/flat head
- **Shank:** Spiraling screw shank
- **Point:** Diamond point
- **Length:** 1/2"-10", BWG4-12 for all kinds of round Nails.
- **USAGE:** Mainly for building construction, packing and furniture
- **Package:** Small plastic bag and small box of 1kg,2.5kg,3kg,5kg



Length	Gauge
mm	mm
75	3.55
90	3.4
115	5.5
Customized	Customized

FEATURE:

- Large flat head, spiral shank, diamond point
- Made of Q195 low-carbon steel
- Polished, mechanical, or hot-dip finishes
- Custom packaging available
- Ideal for construction and furniture applications



I 11.CUT HEAD TACKS

Cut Tacks/Decorative Upholstery Nails/Antique Upholstery Tacks/Nailhead Trim

- **Material:** Q195 CARBON STEEL
- **Size:** 3/8", 1/2", 5/8", 3/4", 1", 1-1/4"
- **Head:** Flat head
- **Finish:** Fine blue
- **Shank:** Smooth
- **USAGE:** Repair shoes and boots, fasten fabrics, leather sofas, soft furniture, etc.
- **Packing:** 1lbs/Box, 56 Boxes/Carton Or 112 Boxes/Wooden Case; or according to buyer request



Length		Gauge
inches	mm	B.W.G
3/8	9.525	14/13/12/11/10/9
1/2	12.700	14/13/12/11/10/9
5/8	15.875	14/13/12/11/10/9
3/4	19.050	14/13/12/11/10/9
7/8	22.225	14/13/12/11/10/9
1	25.400	14/13/12/11/10/9
1-1/4	31.749	14/13/12/11/10/9
1-1/2	38.099	14/13/12/11/10/9
1-3/4	44.440	14/13/12/11/10/9
2	50.800	14/13/12/11/10/9

FEATURE:

- Mainly used for fixing carpets and decoration.
 - Popular in the Middle Eastern market.
 - Similar to shoe nails, but not the same.
 - Designed with a wider head and shorter shank.
 - Ideal for rugs, carpets, and traditional decor.
-



I 12.RING SHANK NAILS

Black Ring Shank Nail/Round Head Nail/Flat Black Head Ring Nail/Black Common Nail

- **Material:** Carbon steel Q195, Q235
- **Diameter:** 4–20 gauge
- **Length:** 1/2" – 7"
- **Head:** Flat head
- **Shank:** Ring shank
- **Point:** Diamond point
- **Finish:** Bright, electro galvanized, vinyl-coated, polished
- **Package:** 11 lbs per box, 2 lbs per box or bag, 1 lb per bag, 55 lbs per carton, and as your request.



Length		Diameter		Weight/ 1000nails	Amount/kg
inch	mm	BWG	mm	kg	piece
1/2	9.52	20	0.89	0.046	21730
3/4	19.05	17	1.47	0.25	4000
1	25.40	16	1.65	0.42	2380
1-1/2	38.10	14	2.11	1.03	971
2	50.80	12	2.77	2.37	422
2-1/2	63.50	11	3.05	3.58	279
3	76.20	10	3.40	5.35	187
3-1/2	88.90	9	3.76	7.65	131
4	101.6	8	4.19	10.82	92.4
4-1/2	114.3	7	4.57	14.49	69.0
5	127.0	6	5.16	20.53	48.7
6	152.4	5	5.59	28.93	34.5
7	177.8	4	6.05	40.32	24.85

FEATURE:

- Deep or shallow rings along the thin shank
 - Big surface area for high holding power
 - Flathead and sharp point
 - Easy to drive in but difficult to remove
 - Durable and strong from Q195 or Q235 steel
 - Electro or hot-dipped galvanized for rust resistance
 - Long service time
-



I 13.BLACK LARGE HEAD NAILS

Black Felt Clout Nails/Black Smooth Shank Nails/Black iron nails

- **Material:** Carbon steel Q195
- **Diameter:** 4–20 gauge
- **Length:** 1/2" – 7"
- **Head:** Flat head
- **Shank:** Smooth shank
- **Point:** Diamond point
- **Finish:** Black
- **Package:** 11 lbs per box, 2 lbs per box or bag, 1 lb per bag, 55 lbs per carton, and as your request.



Length		Diameter		Weight/ 1000nails	Amount/kg
inch	mm	BWG	mm	kg	piece
1/2	9.52	20	0.89	0.046	21730
3/4	19.05	17	1.47	0.25	4000
1	25.40	16	1.65	0.42	2380
1-1/2	38.10	14	2.11	1.03	971
2	50.80	12	2.77	2.37	422
2-1/2	63.50	11	3.05	3.58	279
3	76.20	10	3.40	5.35	187
3-1/2	88.90	9	3.76	7.65	131
4	101.6	8	4.19	10.82	92.4
4-1/2	114.3	7	4.57	14.49	69.0
5	127.0	6	5.16	20.53	48.7
6	152.4	5	5.59	28.93	34.5
7	177.8	4	6.05	40.32	24.85

FEATURE:

- Deep or shallow rings along the thin shank
 - Big surface area for high holding power
 - Flathead and sharp point
 - Easy to drive in but difficult to remove
 - Durable and strong from Q195 or Q235 steel
 - Electro or hot-dipped galvanized for rust resistance
 - Long service time
-

