

# CHEKDIAO

PROFESSIONAL 20 YEARS



保定晨雕起重机械制造有限公司

Baoding Chendiao Hoisting Machinery  
Manufacturing Co., Ltd

ADD: Donglv Industrial Zone, Qingyuan, Baoding,  
Hebei Province, China

地址:河北省保定市清苑区东吕工业园

TEL 电话: 0312-5066345

FAX 传真: 0312-8151129

EMAIL 邮箱: Stephanie@chendiaohoist.com

WEBSITE 网址: www.chendiaohoist.com



官方商城/Alibaba Shop



产品册电子版/Catalogue



# COMPANY PROFILE

## 公司简介

晨雕起重机械制造(保定)有限公司是一家专业的起重设备供应商,20年来主要生产手拉葫芦、起重搬运车、捆绑带、吊装带等起重工具。

产品广泛应用于模具、造船、桥梁建设、铁路、生产线、物流、机械制造、风电、涂料运输等特殊用途。

公司主要市场是俄罗斯、南美洲、中东和亚洲。到目前为止,我们的产品已经出口到西班牙、俄罗斯、美国、新加坡、印度、沙特阿拉伯、马来西亚、伊拉克等国家。为了赶上国际市场的步伐,满足客户更高的要求,我司通过ISO认证,且部分产品已经获得了CE证书。

Chendiao Hoisting Machinery Manufacturing (Baoding) Co., Ltd. is a professional hoist lifting equipments supplier, which is specializing in Chain blocks, hand pallet trucks, cargo lashing straps, webbing slings and other related products for 20 years.

Our products are widely used in mold, shipbuilding, bridge construction, railways, production line, logistics, mechanical manufacture, wind power industry, coating transportation and other special purposes.

Our main markets are South America, Middle east & Asia. Till now we have exported to Spain, Russia, USA, Singapore, India, Saudi Arab, Malaysia, Iraq etc. In order to catch up the step of international market, we gained ISO9001 & CE certificates to meet customers' requests.

## 目录 CONTENTS

01-08

手拉葫芦/手扳葫芦  
CHAIN BLOCK/LEVER BLOCK



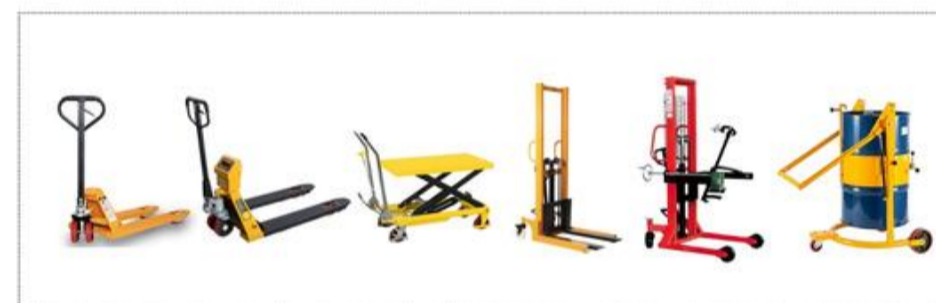
09-14

电动葫芦  
ELECTRIC HOIST



15-22

手动搬运车/手动油桶升高车  
HAND PALLET TRUCK/MANUAL OIL DRUM STACKER



23-28

吊装带/捆绑器  
WEBBING SLING/CARGO LASHING



29-40





# CHAIN BLOCK

手拉葫芦



## HS-VT

- 日本技术
- 可提供额外的负载限位器
- 用小力量提升大重量
- 自动的双棘爪制动系统
- 高等级合金钢链条和标准镀锌手链条
- 经过落锻和专业热处理的钩子负载强度高，寿命长
- 载荷范围从0.5吨到10吨，重型葫芦有30吨，50吨

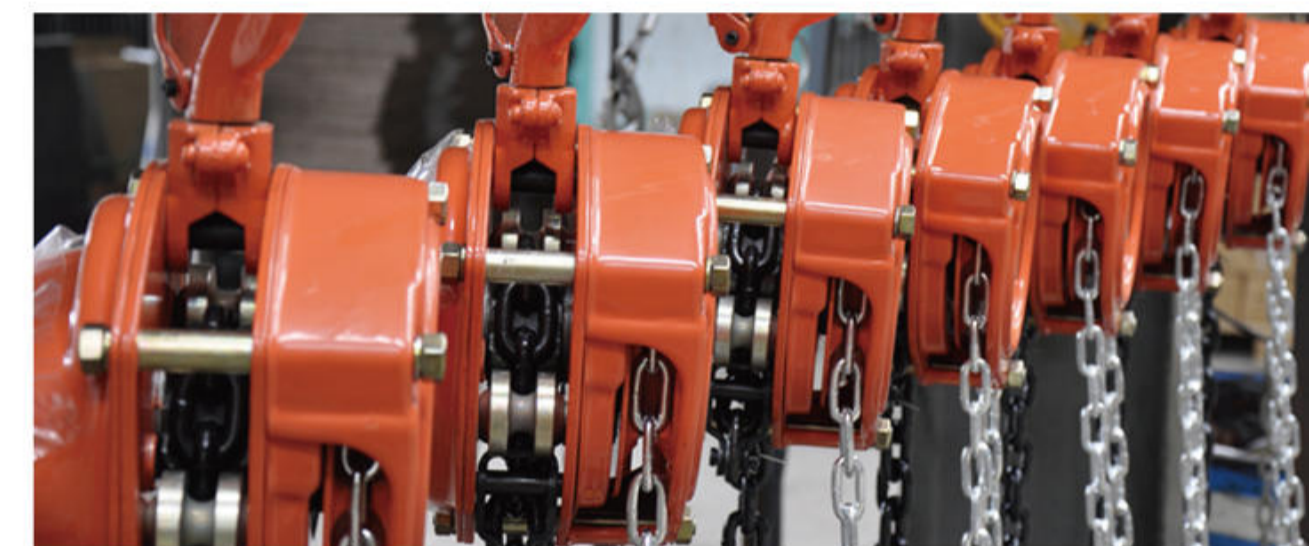
- Japan technology
- Load limiter is available at extra cost
- Low effort to lift maximum load
- Automatic double pawl braking system
- Premium grade alloy load chain and zinc plated hand chain as standard
- Drop forged and expertly heat treated hooks for great strength and long wearing
- Capacity ranges from 0.5t to 10t, heavy duty 30t, 50t is available

型号 Model	HS-VT 1/2	HS-VT 1	HS-VT 1 1/2	HS-VT 2	HS-VT 3	HS-VT 5	HS-VT 10
起重重量 (吨) Capacity (t)	0.5	1	1.5	2	3	5	10
标准起重高度 Standard lift (m)	2.5	2.5	2.5	3	3	3	3.5
试验载荷 (吨) Test load (t)	0.75	1.5	2.25	3	4.5	7.5	15
两钩间最小距离 (毫米) Min. distance between hooks (mm)	285	315	340	380	475	600	700
满载时手链条拉力 (牛顿) Chainpull to lift full load (N)	25	33	34	34	35	39	41
起重链条行数 No. of load chain fall lines	1	1	1	1	2	2	4
起重链条圆钢直径 (毫米) Diameter of load chain (mm)	6.3	6.3	7.1	8	7.1	9	9
净重 (公斤) Net weight (kg)	8.4	11	13.5	21	22	40	77
装箱毛重 (公斤) Gross Weight (kg)	9.4	12	14.5	22	23	41.5	85
装箱尺寸长×宽×高 (厘米) Packing measurement L×W×H (cm)	30×17×32	30×17×32	30×17×32	28×19×23	30×17×32	40×20×34	62×50×26



# CHAIN BLOCK

手拉葫芦



## HSZ-A

- 载荷范围从0.5吨到20吨，重型葫芦有30吨，50吨
- 重型和紧凑的设计符合所有相关的国际标准
- 可靠的制动盘，标准的高级合金钢链条和镀锌手拉链
- 经过落锻和专业热处理的钩子负载强度高，寿命长

- Capacity ranges from 0.5t to 20t, heavy duty 30t, 50t is available
- Heavy duty and compact design to meet all pertinent world standard
- Reliable disc brake, premium grade alloy load chain and zinc plated hand chain as standard
- Drop-forged and expertly heat treated hooks for great strength and long wearing

型号 Model	HSZ-A 1/2	HSZ-A 1	HSZ-A 1 1/2	HSZ-A 2	HSZ-A 3	HSZ-A 5	HSZ-A 10
起重重量 (吨) Capacity (t)	0.5	1	1.5	2	3	5	10
标准起重高度 Standard lift (m)	2.5	2.5	2.5	3	3	3	3.5
试验载荷 (吨) Test load (t)	0.75	1.5	2.25	3	4.5	7.5	15
两钩间最小距离 (毫米) Min. distance between hooks (mm)	285	315	340	380	475	600	700
满载时手链条拉力 (牛顿) Chainpull to lift full load (N)	25	33	34	34	35	39	41
起重链条行数 No. of load chain fall lines	1	1	1	1	2	2	4
起重链条圆钢直径 (毫米) Diameter of load chain (mm)	6.3	6.3	7.1	8	7.1	9	9
净重 (公斤) Net weight (kg)	8.4	11	13.5	21	22	40	77
装箱毛重 (公斤) Gross Weight (kg)	9.4	12	14.5	22	23	41.5	85
装箱尺寸长×宽×高 (厘米) Packing measurement L×W×H (cm)	30×17×32	30×17×32	30×17×32	28×19×23	30×17×32	40×20×34	62×50×26



# CHAIN BLOCK

手拉葫芦



## HS-C

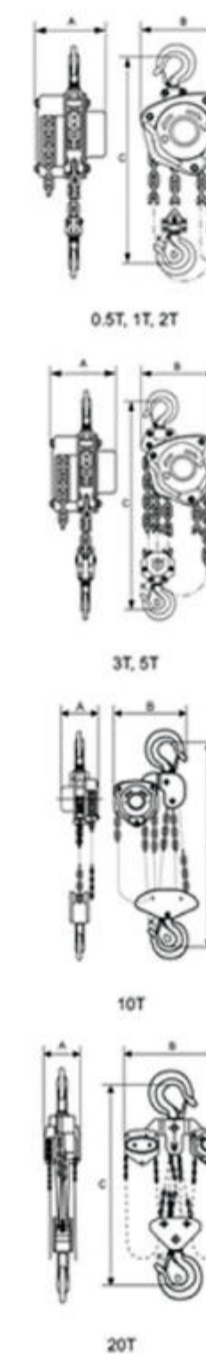
- 可提供额外的负载限位器
- 用小力量提升大重量
- 高等级合金钢链条和标准镀锌手链条
- 经过落锻和专业热处理的钩子负载强度高, 寿命长
- 载荷范围从1吨到20吨, 重型葫芦有30吨, 50吨
- Load limiter is available at extra cost
- Low effort to lift maximum load
- Premium grade alloy load chain and zinc plated hand chain as standard
- Drop forged and expertly heat treated hooks for great strength and long wearing
- Capacity ranges from 1t to 20t, heavy duty 30t, 50t is available

型号 Model	HS-C 1	HS-C 2	HS-C 3	HS-C 5	HS-C 10	HS-C 20
起重重量 (吨) Capacity (t)	1	2	3	5	10	20
标准起重高度 Standard lift (m)	2.5	2.5	3	3	3	3
试验载荷 (吨) Test load (t)	1.5	3	4.5	7.5	12.5	25
两钩间最小距离 (毫米) Min. distance between hooks (mm)	306	444	486	616	700	1000
满载时手链条拉力 (牛顿) Chain pull to lift full load (N)	304	314	343	383	392	392
起重链条行数 No. of load chain fall lines	1	1	2	2	4	8
起重链条圆钢直径 (毫米) Diameter of load chain (mm)	6	6	8	10	10	10
净重 (公斤) Net weight (kg)	8	14	24	36	68	156
装箱毛重 (公斤) Gross Weight (kg)	10	17	28	45	83	194
装箱尺寸长×宽×高 (厘米) Packing measurement L×W×H (cm)	28×21×17	33×25×19	38×30×20	45×35×24	62×50×28	70×46×75



# CHAIN BLOCK

手拉葫芦



## HSZ-CB

- 使用滚珠轴承
- 通过EN13157
- 超重链通过DIN568
- 重型手拉葫芦
- 可提供额外的负载限位器
- 用小力量提升大重量
- 高等级合金钢链条和标准镀锌手链条
- 经过落锻和专业热处理的钩子负载强度高
- Use ball bearing
- Meets requirement of EN13157
- Load chain meet DIN568
- Heavy duty model
- Load limiter is available at extra cost
- Low effort to lift maximum load
- Premium grade alloy load chain and zinc plated hand chain as long wearing
- Drop forged and expertly heat treated hooks for great strength and long wearing

型号 Model	HSZ-CB 1/2	HSZ-CB 1	HSZ-CB 1 1/2	HSZ-CB 2	HSZ-CB 3	HSZ-CB 5	HSZ-CB 10
起重重量 (吨) Capacity (t)	0.5	1	1.5	2	3	5	10
标准起重高度 Standard lift (m)	2.5	2.5	2.5	3	3	3	3.5
试验载荷 (吨) Test load (t)	0.75	1.5	2.25	3	4.5	6.25	12.5
两钩间最小距离 (毫米) Min. distance between hooks (mm)	240	270	347	380	470	600	700
满载时手链条拉力 (牛顿) Chain pull to lift full load (N)	221	304	343	314	343	381	392
起重链条行数 No. of load chain fall lines	1	1	1	1	2	2	4
起重链条圆钢直径 (毫米) Diameter of load chain (mm)	6	6	7.1	8	7.1	10	10
净重 (公斤) Net weight (kg)	8.4	11	13.5	21	22	40	77
装箱毛重 (公斤) Gross Weight (kg)	9.4	12	14.5	22	23	41.5	85
装箱尺寸长×宽×高 (厘米) Packing measurement L×W×H (cm)	28×21×17	30×24×18	34×29×20	33×28×19	38×33×20	45×39×24	55×51×29



# CHAIN BLOCK

手拉葫芦

## HSZ-T

手拉葫芦为便携式起重装置，便于手动操作。适合在工厂，矿山，农场，建筑，农业生产和船坞，码头和仓库使用，用于安装机器，提升货物，和装卸货物。其特殊的优势是能够在露天场所和没有电力供应的地方使用。

本手拉葫芦可和任何类型的行车一起使用，构成可移动式的手拉葫芦。本手拉葫芦适合用于高空单轨输送系统，手移式提升机和动臂起重机。

- 安全可靠，所需维护少
- 高效，手拉力小
- 重量轻，容易搬运
- 体积小，外观美
- 使用寿命长

Chain Block is a portable lifting device easily operated by hand. It is suitable for use in factories, mines, farms, construction sites, agricultural production, and in wharfs, docks and storages for fixing machines, lifting cargos, and loading and unloading goods. It is especially advantageous for lifting work in the open air and place where no power supply is available.

The chain block can be attached to a trolley of any type as a traveling chain block. It is suitable to monorail overhead conveying system, hand traveling crane and jib crane.

- Safe, reliable in operation with minimum maintenance
- High efficiency and small hand pull
- Light weight and easy handling
- Fine appearance with small size
- Durable in service



# CHAIN BLOCK

手拉葫芦



## HSZ

- 中国款式圆葫芦
- 用小力量提升大重量
- 高等级合金钢链条和标准镀锌手链条
- 经过落锻和专业热处理的钩子负载强度高，寿命长
- 载荷范围从1吨到20吨，重型葫芦有30吨，50吨

- Chinese round models
- Low effort to lift maximum load
- Premium grade alloy load chain and zinc plated hand chain as standard
- Drop forged and expertly heat treated hooks for great strength and long wearing
- Capacity ranges from 1t to 20t, heavy duty 30t, 50t is available

型号 Model	HSZ-T 1/2	HSZ-T 1	HSZ-T 1 1/2	HSZ-T 2	HSZ-T 3	HSZ-T 5	HSZ-T 10
起重量 (吨) Capacity (t)	0.5	1	1.5	2	3	5	10
标准起重高度 Standard lift (m)	2.5	2.5	2.5	3	3	3	3.5
试验载荷 (吨) Test load (t)	0.75	1.5	2.25	3	4.5	7.5	12.5
两钩间最小距离 (毫米) Min. distance between hooks (mm)	255	306	368	444	486	616	700
满载时手链拉力 (牛顿) Chainpull to lift full load (N)	221	304	343	314	343	383	392
起重链条行数 No. of load chain fall lines	1	1	1	2	2	2	4
起重链条圆钢直径 (毫米) Diameter of load chain (mm)	6	6	8	6	8	10	10
净重 (公斤) Net weight (kg)	8	10	16	14	24	36	68
装箱毛重 (公斤) Gross Weight (kg)	10	13	20	17	28	45	83
装箱尺寸长×宽×高 (厘米) Packing measurement L×W×H (cm)	28×21×17	30×24×18	34×29×20	33×25×19	38×30×20	45×35×24	60×50×28

型号 Model	HSZ 1	HSZ 2	HSZ 3	HSZ 5	HSZ 10	HSZ 20
起重量 (吨) Capacity (t)	1	2	3	5	10	20
标准起重高度 Standard lift (m)	2.5	2.5	3	3	3	3
试验载荷 (吨) Test load (t)	1.5	3	4.5	7.5	12.5	25
两钩间最小距离 (毫米) Min. distance between hooks (mm)	270	444	486	616	700	1000
满载时手链拉力 (牛顿) Chainpull to lift full load (N)	309	314	343	383	392	392
起重链条行数 No. of load chain fall lines	1	2	2	2	4	8
起重链条圆钢直径 (毫米) Diameter of load chain (mm)	6	6	8	10	10	10
净重 (公斤) Net weight (kg)	10	14	24	36	68	155
装箱毛重 (公斤) Gross Weight (kg)	13	17	28	45	83	193
装箱尺寸长×宽×高 (厘米) Packing measurement L×W×H (cm)	28×21×17	33×25×19	38×30×20	45×35×24	62×50×28	70×46×75



# LEVER BLOCK

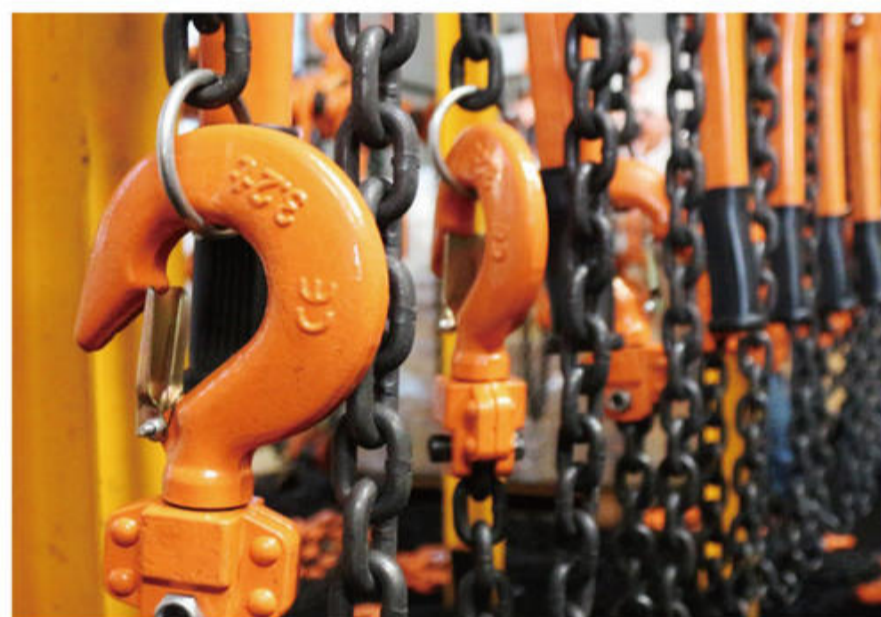
手扳葫芦



## HSH-VL

- 重量轻, 体积小, 手柄操作力小
- 可选的齿轮齿数比例是手柄操作力非常小
- 标准配置高强度合金钢起重链条
- 经过专门热处理的锻造吊钩, 强度高, 使用寿命长
- 起重范围0.8T到9T
- 可根据要求配置不同的起重高度

- Compact design and robust, deep drawn, stamped steel construction
- High quality materials ensure light weight without infringing reliability
- Low weight, small mounting sizes and small lever forces at full load
- Hand lever operates with little effort due to optional gear ratio
- Premium grade alloy load chain
- Drop-forged and expertly heat treated hooks for great strength and long wearing
- Capacity ranges from 0.8 to 9t
- Different lifting length is available at requirement



型号 Model	VL 0.8	VL 1	VL 1.6	VL 2	VL 3.2	VL 6.3	VL 9
起重重量 (吨) Capacity (t)	0.8	1	1.6	2	3.2	6.3	9
标准起重高度 Standard lift (m)	1.5	1.5	1.5	1.5	1.5	1.5	1.5
试验载荷 (吨) Test load (t)	1	1.8	2	3	4.5	7.5	12
两钩间最小距离 (毫米) Min. distance between hooks (mm)	285	315	340	380	475	600	700
满载时手链拉力 (牛顿) Chainpull to lift full load (N)	25	33	34	34	35	39	41
起重链条行数 No. of load chain fall lines	1	1	1	1	2	2	3
起重链条圆钢直径 (毫米) Diameter of load chain (mm)	6	6	7.1	8	9	9	9
净重 (公斤) Net weight (kg)	7	7	11	15.5	20	28	47
装箱毛重 (公斤) Gross Weight (kg)	9.4	9.4	14.5	17	23	32	50
装箱尺寸长×宽×高 (厘米) Packing measurement L×W×H (cm)	33×16×13	33×16×13	43×18×16	44×19×17	50×20×18	53×21×21	82×32×15



# LEVER BLOCK

手扳葫芦

## HSH-VA

- 重型手扳葫芦
- 设计紧凑, 合金钢结实耐用
- 优质材料确保重量轻, 可靠性强
- 重量轻, 体积小, 手柄操作力小
- 扳手端, 带橡胶手柄
- 标准配置高强度合金钢起重链条
- 经过专门热处理的锻造吊钩, 强度高, 使用寿命长
- 起重范围0.75T到9T
- 可根据要求配置不同的起重高度

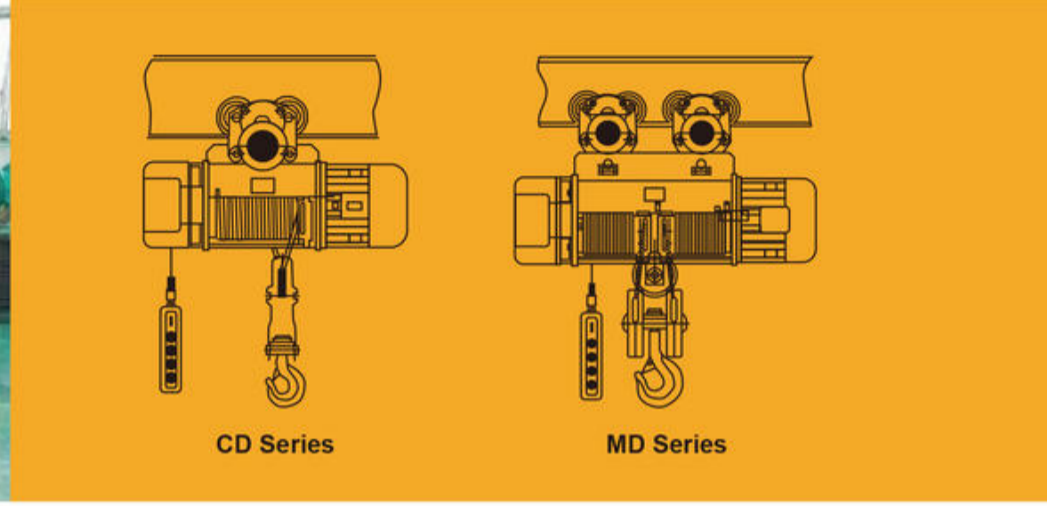
- Heavy duty type
- Compact design and robust, deep drawn, stamped steel construction
- High quality materials ensure light weight without infringing reliability
- Low weight, small mounting sizes and small lever forces at full load
- Short hand lever with rubber grip
- Premium grade alloy load chain
- Drop-forged and expertly heat treated hooks for great strength and long wearing
- Capacity ranges from 0.75t to 9t
- Different lifting length is available at requirement



型号 Model	HSH-VA 0.75	HSH-VA 1.5	HSH-VA 3	HSH-VA 6	HSH-VA 9
起重重量 (吨) Capacity (t)	0.75	1.5	3	6	9
标准起重高度 Standard lift (m)	1.5	1.5	1.5	1.5	1.5
试验载荷 (吨) Test load (t)	1	2	4	7	10.5
两钩间最小距离 (毫米) Min. distance between hooks (mm)	285	315	340	380	475
满载时手链拉力 (牛顿) Chainpull to lift full load (N)	25	33	34	34	35
起重链条行数 No. of load chain fall lines	1	1	2	2	3
起重链条圆钢直径 (毫米) Diameter of load chain (mm)	6	8	10	10	10
净重 (公斤) Net weight (kg)	7	11	21	31	47
装箱毛重 (公斤) Gross Weight (kg)	8	12	22.5	34	50
装箱尺寸长×宽×高 (厘米) Packing measurement L×W×H (cm)	36×13×16	50×14×19	54×17×21	54×18×21	82×32×15

# ELECTRIC HOIST

电动葫芦



## CD1 / MD1

- CD1型电动葫芦只有一种起重速度，可以满足一般使用要求。
- MD1型电动葫芦有两种速度：正常和低速，在较低速度的时候，它可以加载和装卸货物。
- MD1型电动葫芦是小型起重设备，它可以应用在单梁桥式起重机，仓库和桥梁上。
- 减速器：采用三级定轴斜齿轮传动结构，齿轮和齿轮轴用经过热处理的合金钢制成，箱体，箱盖由优质铸铁制成，装配严密，密封良好。减速器自成一个部件，装卸极为方便。
- 控制箱：采用能在紧急情况下切断主电路，并带有上下行程保护断火限位器的装置。确保了电动葫芦的安全运行。电器元件寿命长，使用可靠。
- 钢丝绳：采用GB1102-74(6×37+1)型起重钢丝绳，它保证了经久耐用。
- 锥形电动机：起升电动机采用较大起动力矩锥形转子制动异步电动机，无须外加制动器。电机负载持续率为25%，电机采用B级或F级绝缘，电机防护等级IP44/IP54。
- 按钮开关：手操式轻巧灵便，分有绳操作和无绳遥控两种方式。

- Model CD1 Electric hoist has only normal speed, which can satisfy normal application.
- Model MD1 Electric hoist provides two speeds: normal and low speed, At a low speed it can be do provides loading and unloading.
- Model CD1/MD1 Electric hoist is a small size lifting equipment, which can be used on single beam、storehouse and bridge cranes.
- Reducer: Third-class dead axel helical gear transmission structure is adopted; gear and gear axel are made of heat treated alloy steel; case and case cover with precise assembly and good seal are made of quality cast iron. The reducer is independent, so it's easy to load and unload it.
- Control Box: It has device with up and down stroke protection of break off limiter and can cut off main circuit in an emergency, which ensures safe operation of electric block. Electric elements are of long service life and operational safety.
- Steel Wire Rope: It uses GB-1102-74 (6×37+1) hoist steel wire rope which is durable in use.
- Conical Motor: The hoist motor uses conical rotors of relatively stronger starting torque to bake asynchronous motor and does not need extra arrester. The motor's load duration factor is 25%; the motor uses B grade and F grade insulation and its protection degree is IP44/54.
- Button Switch: It's hand-operated, easy to handle, and has tow modes of cord operation and cordless remote control.



- 可供防爆电动葫芦
- Explosion Proof electroc hoist is available.

产品型号	Model	CD-1T — CD-10T										MD-0.5T — MD-16T													
重量	N.W. (T)	0.5					1					2					3								
起升高度	Lifting height (m)	6	9	12	18	24	30	6	9	12	18	24	30	6	9	12	18	24	30	6	9	12	18	24	30
起升速度 常速(慢速)	Lifting normal speed (slow speed) (m/pm)	8(0.8)																							
运行速度	Running speed (m/pm)	20(30)																							
钢丝绳	绳直径 Diameter of the rope (mm)	4.8					7.4					11					13								
	丝直径 Diameter of the line (mm)	0.22					0.34					0.5					0.6								
	结构形式 Structural style	D-6×37+1																							
工字钢轨道型号	工-beam track model (GB706-65) (m)	16~28b										20a~32c													
环形规格到最小半径	The minimum radius of O ring track (m)	1.5	1.5	2	3	4	2	2.5	3	4	2	2.5	3	4	2	2.5	3	4	2	2.5	3	4			
起升电动机	产品型号 Model	ZD <sub>r</sub> 21~4(ZDS <sub>r</sub> 0.2/0.28)					ZD <sub>r</sub> 22~4(ZDS <sub>r</sub> 0.2/1.5)					ZD <sub>r</sub> 31~4(ZDS <sub>r</sub> 0.8/4.5)					ZD <sub>r</sub> 32~4(ZDS <sub>r</sub> 0.8/4.5)								
	容量 Capacity (k/w)	0.8(0.2/0.8)					1.5(0.2/1.5)					3(0.4/3)					4.5(0.8/4.5)								
	转速 Rotating speed (r/m)	1380																							
	相数 Phase	3																							
	电压 Voltage (V)	380																							
	电流 Current (A)	2.4(0.72/2.4)					4.3(0.72/4.3)					7.6(1.25/7.6)					11(2.4/11)								
频率 Frequency (c/s)	50																								
运行电动机	产品型号 Model	ZDY <sub>r</sub> 11~4					BZDY <sub>r</sub> 11~4					ZDY <sub>r</sub> 12~4													
	容量 Capacity (k/w)	0.2										0.4													
	转速 Rotating speed (r/m)	1380																							
	相数 Phase	3																							
	电压 Voltage (V)	380																							
电流 Current (A)						0.72					1.25														
频率 Frequency (c/s)	50																								
接合次数	Connection times (t/ph)	120																							
工作制	Work rate (JC%)	25%																							

产品型号	Model	CD-1T — CD-10T										MD-0.5T — MD-16T													
重量	N.W. (T)	5					10					16													
起升高度	Lifting height (m)	6	9	12	18	24	30	6	9	12	18	24	30	6	9	12	18	24	30	6	9	12	18	24	30
起升速度 常速(慢速)	Lifting normal speed (slow speed) (m/pm)	8(0.8)																							
运行速度	Running speed (m/pm)	20(30)																							
钢丝绳	绳直径 Diameter of the rope (mm)	15																							
	丝直径 Diameter of the line (mm)	0.7										0.5													
	结构形式 Structural style	D-6×37+1																							
工字钢轨道型号	工-beam track model (GB706-65) (m)	25a~63c										20a~32c													
环形规格到最小半径	The minimum radius of O ring track (m)	2.5	3	4	5	2.5	3.5	4	6	7.5	9	2.5	3.5	4	6	7.5	9	2.5	3.5	4	6	7.5	9		
起升电动机	产品型号 Model	ZD <sub>r</sub> 41~4(ZDS <sub>r</sub> 0.8/7.5)										ZD <sub>r</sub> 51~4(ZDS <sub>r</sub> 1.5/13)													
	容量 Capacity (k/w)	7.5(0.8/7.5)										13(1.5/13)													
	转速 Rotating speed (r/m)	1400																							
	相数 Phase	3																							
	电压 Voltage (V)	380																							
	电流 Current (A)	18(2.4/18)					30(4.3/30)																		
频率 Frequency (c/s)	50																								
运行电动机	产品型号 Model	ZDY <sub>r</sub> 21~4																							
	容量 Capacity (k/w)	0.8					0.8×2																		
	转速 Rotating speed (r/m)	1380																							
	相数 Phase	3																							
	电压 Voltage (V)	380																							
电流 Current (A)	2.4					2.4×2																			
频率 Frequency (c/s)	50																								
接合次数	Connection times (t/ph)	120																							
工作制	Work rate (JC%)	25%																							

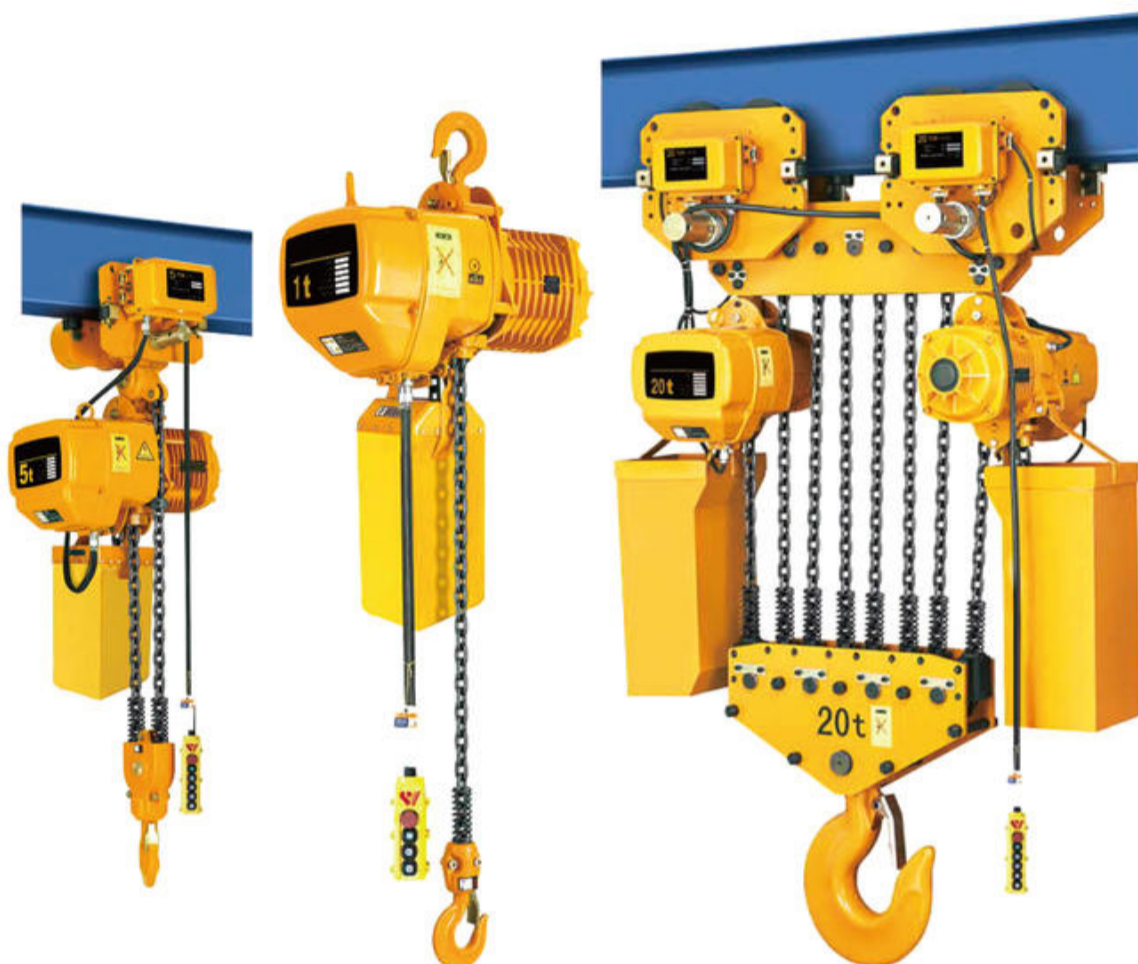
# ELECTRIC HOIST

电动葫芦

## HHSY 环链电动葫芦 Electric Chain Hoist

在缩短机体与横梁轨道间距离上具有独特的最佳结构, 适用于在较低建筑物内使用, 尤其适用于临时搭建的厂房内或者在其内需要扩大有效起升空间的场所。

It is typical of unique optimal structure in shortening the distance between the machine body and the beam tracks, applicable to operations inside inferior buildings, especially suitable for use in temporarily erected plant buildings or on the sites where expanding of effective hoisting spaces inside the buildings is required.



型号 Model	HHSY-0.5A	HHSY-1.0A	HHSY-2.0A	HHSY-1.0B	HHSY-2.0B	HHSY-3.0B	HHSY-5.0B
起重量 (吨) Capacity (t)	0.5	1.0	2.0	1.0	2.0	3.0	5.0
标准起重高度 (米) Standard lift (m)	3	3	3	3	3	3	3
试验载荷 (千牛) Test load (kn)	6.25	12.5	25	12.5	25	37.5	62.5
电机功率 (千瓦) Motor power (kw)	1.1	1.5	1.5	1.5	1.5	3.0	3.0
起重链行数 No. of load chain fall lines	1	1	1	2	2	2	2
起重链条圆钢直径 (毫米) Diameter of load chain (mm)	6.3	7.1	10	6.3	7.1	10	11.2
起重速度 (米/分钟) Lift speed (m/min)	7.8	6.8	6.8	3.9	3.4	5.8	2.8
净重 (公斤) Net weight (kg)	42	59	110	47	69	123	133
每米自重 Enter weight per meter of extra lift (kg)	0.5	1.1	2.2	1.0	2.2	4.4	5.8

# ELECTRIC HOIST

电动葫芦



## PA 微型电动葫芦 Mini Electric Hoist

- 带有急停开关
- 加强型制动开关带有限位器
- 防护等级可达到IP54
- 带有热保护装置
- With emergency stop switch
- Reinforced braking switch with position limit
- Protection class up to IP54
- With thermal prevention device

型号 Model	PA-200	PA-300	PA-400	PA-500	PA-600	PA-800	PA-1000
使用方法 Use ways	单钩 / 双钩 Single / double hook						
额定电压 Rated voltage (v)	220/230 50HZ						
输入功率 Input power (w)	510	600	850	1020	1150	1450	1800
额定起重量 Rated Capacity (kg)	100/200	150/300	200/400	250/500	300/600	400/800	500/1000
起重速度 Hoisting Speed (m/min)	10/5	10/5	10/5	10/5	10/5	10/5	10/5
起重高度 Hoisting Height (m)	12/6	12/6	12/6	12/6	12/6	12/6	12/6
每件数量 PCS	2	2	2	2	2	2	1
毛净重 Gross&Net weight (kg)	23.4/22.4	23.4/22.4	35.8/34.8	35.8/34.8	37.4/36.4	38/37	38.8/37
包装尺寸 Packing measurement L*W*H (cm)	36.3*30*24	36.3*30*24	41.5*32.6*26.8	41.5*32.6*26.8	41.5*32.6*26.8	55.5*24.5*35.5	55.5*24.5*35.5

# ELECTRIC HOIST

电动葫芦

# ELECTRIC HOIST

电动葫芦



## DHS 环链电动葫芦 Electric Chain Hoist

DHS型环链电动葫芦是小型起重设备，广泛使用于工矿企业，仓库，商业，医药卫生及饮食服务。它可以安装在悬空工字梁，曲线导轨以及固定吊运重物，也可以安装在旋臂吊的导轨上，为机床吊装工件及夹具等重物。

DHS electric chain hoist, is a kind of lifting equipment, it has been widely used in industrial and mining enterprises, warehouse, medicine and health and catering services. It can be fixed on I beam, curved track or fixed point to lift objects, and also on cantilever track for carrying work piece and machine tools.

型号 Model	DHS 1	DHS 2	DHS 3	DHS 5
起重量 (吨) Capacity (t)	1	2	3	5
试验载荷 (吨) Test load (t)	1.25	2.5	3.5	5.5
电机型号 (功率) Motor model	YE500W	YE500W	YE500W	YE750W
电源电压 (伏) Electric voltage (v)	380	380	380	380
提升速度 (米/分钟) Lifting speed (m/min)	2.5	2	1.25	1
起重链行数 No. of load chain fall lines	1	1	2	2
净重 (公斤) Net weight (kg)	3m 36kg / 6m 40kg	3m 45kg / 6m 52kg	3m 42kg / 6m 50kg	3m 57kg / 6m 70kg
装箱尺寸 长×宽×高 (厘米) Packing measurement L×W×H (cm)	50×32×28	50×32×30	50×32×30	60×32×32



## DHP 环链电动葫芦 Electric Chain Hoist

DHP型环链电动葫芦是小型起重设备，操作方便，体积小，重量轻，适用性强，是改善劳动条件，体改劳动生产率的理想起重工具。

DHP electric chain hoist with the advantages of reliable property, easy for operation, small size, light weight and good characteristics of common use, the block is good for the improvement of labor conditions and productivity.



型号 Model	DHP 2.5	DHP 5	DHP 10	DHP 20
起重量 (吨) Capacity (t)	2.5	5	10	20
试验载荷 (千牛) Test load (kn)	1.2	1.2	1.2	1.2
电机功率 (千瓦) Motor power (kw)	0.5	0.75	0.75	0.75
电源电压 Electric voltage	380V 50HZ	380V 50HZ	380V 50HZ	380V 50HZ
提升速度 (米/分钟) Lifting speed (m/min)	1.04	0.52	0.26	0.26
两钩间最小距离 (毫米) Min distance between hooks (mm)	550	600	700	1000
标准起重高度 (米) Standard lift (m)	3	3	3	3
起重链条圆钢直径 (毫米) Diameter of load chain (mm)	10	10	10	10
起重链行数 No. of load chain fall lines	1	2	4	8

# HAND PALLET TRUCK

手动搬运车

通常搬运车尺寸分为550mm和685mm，轮子分为尼龙轮和聚氨酯轮。并且搬运车的颜色，叉长，叉宽都可以按客户不同需求，接受定制。

Usually, pallet truck 550x1150mm and 685x1220mm two sizes are hot sale.

The Popular Wheel is Nylon and PU.

Also pallet trucks can be customized.

For example, pallet truck color yellow/red/orange/blue/white...

550x800mm 550x1500mm 550x1800mm 550x1200mm...



2Ton PU wheel pallet truck  
2吨聚氨酯轮手动搬运车



3Ton Nylon wheel pallet truck  
3吨尼龙轮手动搬运车



5Ton pallet truck  
5吨整体泵聚氨酯轮手动搬运车



Stainless steel pallet jack  
不锈钢搬运车

## ADVANTAGES



Integral sealed cast oil pump  
Eliminates oil leakage



Four lengthened reinforced steel bars  
More sturdy load-bearing capacity



Ergonomic designed handle  
Easy to operate and More comfortable



Adjustable push rod  
High-strength steel material  
More durable

型号 Model	CBY.AC 2.0	CBY.AC 3.0	CBY.AC 5.0
起重量 (千克) Lifting capacity (kg)	2000	3000	5000
货叉低放高度 (毫米) Lowered fork height h1 (mm)	80	80	80
货叉起升高度 (毫米) Max height h-h (mm)	190	190	190
货叉尺寸 (毫米) Fork size (mm)	55*160	55*160	55*160
货叉总宽度 (毫米) Width of fork size (mm)	550/685	550/685	685
货叉长度 (毫米) Length of forks (mm)	1100/1200	1100/1200	1200
承重轮 (毫米) Steering wheel (mm)	70*80	70*80	70*80
转向轮 (毫米) Front wheel (mm)	50*180	50*180	50*180
自重 (公斤) Self Weight (kg)	62-70	65-72	110

# Pallet Truck with Scale

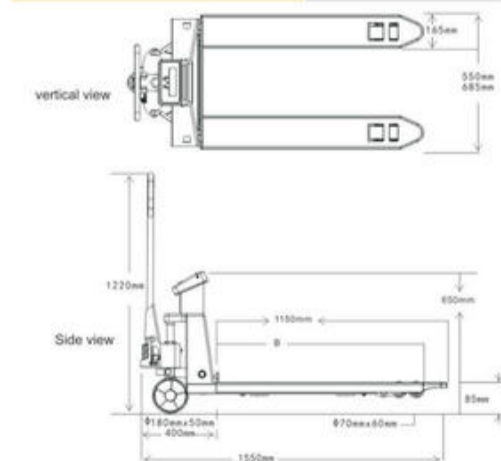
电子秤搬运车



- |                          |   |
|--------------------------|---|
| 1. 车身采用高强度钢制造, 经久耐用      | 1. The body is made of high-strength steel for durability   |
| 2. 提高效率, 简化物流流程          | 2. Improve efficiency and simplify the logistics process  |
| 3. 称重传感器防护等级IP67         | 3. Load cell protection class IP67  |
| 4. 锂电池8.4V 4.0AH         | 4. Lithium Battery 8.4V 4.0AH   |
| 5. 指示器全金属外壳, 坚固防撞        | 5. Indicator full metal casing, solid anti-collision  |
| 6. 主板低能耗设计, 延长使用时间。      | 6. Main board low energy consumption design to extend using time.                                       |
| 7. 过载报警, 低电压显示           | 7. Overload alarm, low voltage display  |
| 8. 动态称重性能好, 重物晃动不会影响称重结果 | 8. Good dynamic weighing performance, no impact on weighing result due to the shaking of heavy objects. |



Accuracy Class	OIML III
Working Time	standby 180 hours
Safe Overload	102%F.S
Limited Load	102%F.S
Work Temperature	-20°C+50°C
Indicator Specification	1.2"
Remote Control Distance	6-10m



参数项	参数值	单位
Rated Capacity 额定载重	2000/3000/5000	KG
Fork Width 货叉宽度	550/685	MM
Fork Length 货叉长度	1150/1220	MM
Lowest Height 最低高度	85	MM
Maximum Height 最高高度	195	MM
Overall Width 总宽度	1550	MM
Turning Radius 转弯半径	1620	MM
Net Weight 产品自重	93/96/121(PL+4KG)	KG
Packing size 包装尺寸	2250x570/700x900	MM

# Scissor Table Truck

平台车

型号Model	PT150	PT300A	PT500A
额定载重量(kg)Loading Capacity	150	300	500
最低高度 (mm) Min.Height	210	280	280
最高高度 (mm) Max.Height	720	900	900
工作台尺寸 (mm) Table Dimensions	700×450×35	815×500×50	815×500×50
轮子直径 (mm) Dia.of the wheel	φ100	φ125	φ125
自重 (kg) Net Weight	40	74	82
外包装尺寸 (mm) Packing Dimension	820×470×230	900×510×310	900×510×310
油缸直径 (mm) Dia.of the Cylinder	φ35	φ40	φ40
手柄离地高度 (mm) Handle Height off the Ground	810	970	970
20英尺集装箱装箱数 (PCS) Load in 20'Container	192	144	144



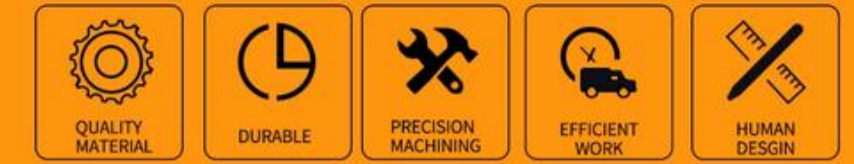
型号Model	PTS150	PTS350A	PTS350AA
额定载重量(kg)Loading Capacity	150	300	350
最低高度 (mm) Min.Height	302	350	350
最高高度 (mm) Max.Height	1260	1300	1500
工作台尺寸 (mm) Table Dimensions	700×450×35		
轮子直径 (mm) Dia.of the wheel	φ100	φ125	φ125
自重 (kg) Net Weight	50	106	106
外包装尺寸 (mm) Packing Dimension	820×470×350	1010×520×380	1010×520×380
油缸直径 (mm) Dia.of the Cylinder	φ35	φ40	φ40
手柄离地高度 (mm) Handle Height off the Ground	810	970	970
20英尺集装箱装箱数 (PCS) Load in 20'Container	144	100	100

型号Model	PTS500	PTS800	PTS1000	PTS1500
额定载重量(kg)Loading Capacity	500	800	1000	1500
最低高度 (mm) Min.Height	360	450	500	500
最高高度 (mm) Max.Height	1500	1500	1700	1700
工作台尺寸 (mm) Table Dimension	905×500×50	1200×610×60	1200×610×80	1200×610×80
轮子直径 (mm) Dia.of the wheel	φ125	φ125	φ150	φ150
自重 (kg) Net Weight	110	150	225	225
外包装尺寸 (mm) Packing Dimensions	1020×520×360	1380×610×460	1370×610×500	1370×610×500
油缸直径 (mm) Dia.of the Cylinder	φ40	φ40	φ40	φ40
手柄离地高度 (mm) Handle Height off the Ground	980	980	1000	1000
20英尺集装箱装箱数 (PCS) Load in 20'Container	132	60	52	52



# HYDRAULIC STACKER

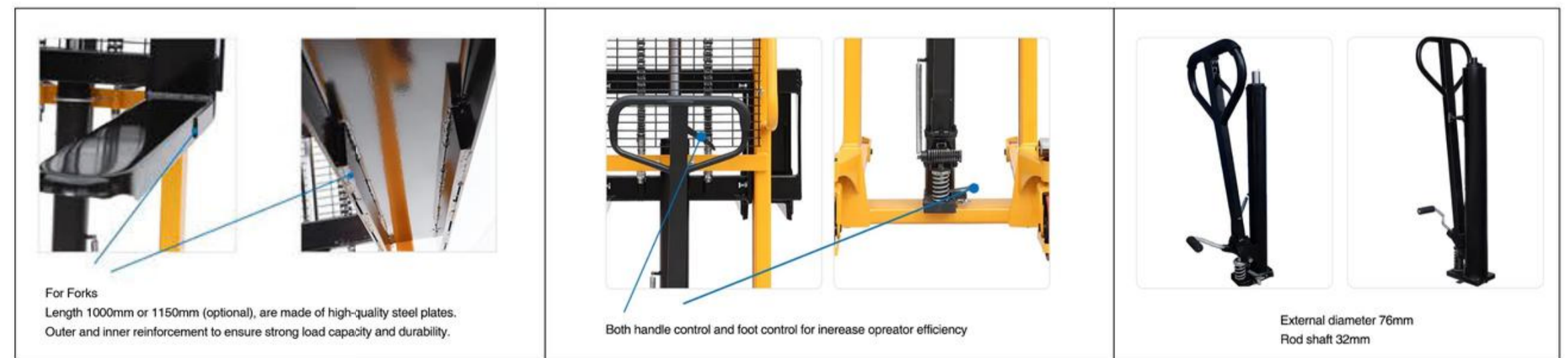
液压堆高车



	Model型号	Unit单位	CTY-1T-1600MM	CTY-2T-1600MM	CTY-3T-1600MM
额定载重	Capacity	KG	1000	2000	3000
提升高度	Lifting height	MM	1600	1600	1600
最小高度	Min. height of fork	MM	90	90	90
载荷中心	Load center	MM	500	500	500
总长度	Overall Length	MM	1440	1460	1480
总宽度	Overall Width	MM	754	754	804
槽钢#厚度	Mast Material # Thickness	BEAM	#10 x 5mm	#12 x 5mm	#16 x 7mm
泵轴直径	Pump Shaft Dia	MM	30	40	45
大轮小轮直径	Big/Small Wheel Dia	MM	180/80	180/80	180/80
货叉长度	Fork Length	MM	820/1150	820/1150	910/1150
轮子类型	Wheel type		Nylon/PU	Nylon/PU	Nylon/PU
常规重量	Normal Weight	KG	125	145	255
定制重量	Customized Weight	KG	149	200/216	278
支持定制	I Beam Steel / C Steel Lifting Height 2M/ 2.5M/ 3M		Fork length 900/1100mm Yellow/Orange/Red color		Thickness 5/7/8mm All can be customized !

▶ 液压堆高车是一种无需动力，无污染，手动液压起重运输车。  
该机械具有结构紧凑，运输灵活，维修方便等特点。  
它适用于工厂，车间，仓库，车站等地的货物的提升，吊装和搬运等作业。

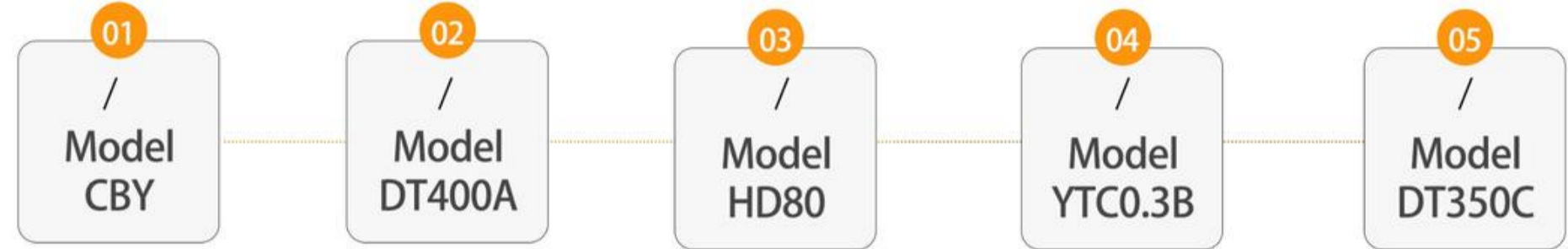
▶ The hydraulic stacker which does not need the driving power and will not bring any pollution. This machine is compact in structure, flexible in transportation, and easy to maintain. It is suitable to be used in factories, workshops, warehouses, and truck stations for lifting and handling of the loads.



# MANUAL OIL DRUM STACKER

手动油桶升高车

# WELCOME OEM ODM



型号Model	CBY	
额定载重The rated load	kg	350
最大起升高度Maximum lifting height	mm	1600
外形长Total Length	mm	1500
外形宽Total Width	mm	830
外形高Total Height	mm	2200
材质Material	/	10#channel steel
自重Self Weight	kg	200
空中翻转变度Flip in the air		>180



型号Model	HD80	
额定载重The rated load	kg	300
桶类型Drum	/	Plastic/Iron
尺寸Dimensions	mm	1200×800×1200
自重Self Weight	kg	45
轮子尺寸Wheel	mm	D200×20, D100×32



型号Model	DT400A	
额定载重The rated load	kg	400
自重Self Weight	kg	160
门架材料Door frame material	/	加厚C型钢
升高高度Elevated height	mm	1600
前轮规格Front wheel specifications	/	150*150(尼龙轮)
后轮规格rear tire	/	150*150(尼龙轮)
前支腿内外宽Front leg width inside and outside	mm	640/800
前支腿长度Front leg length	mm	730
整车长宽高Vehicle length, width, and height	mm	1150*960*2100
转弯半径Turning radius	mm	1850
提升高度到顶Raise the height to the top	mm	1600



型号Model	YTC 0.3B	
额定起重能力Reted lifting capacity	kg	350
提升高度Lifting height	mm	200
外形尺寸Overall dimensions	mm	1060x880x930
自重Self Weight	kg	50



型号Model	DT350C	
额定载重The rated load	kg	350
自重Self Weight	kg	55
脚轮规格 Wheel Dimension	mm	Φ150*50 Φ125*50
最大提升高度Max Lifting Height	mm	300



# WEBBING SLING

## 吊装带

**EB** 扁平吊装带  
Flat Webbing Slings

材料: 高强度聚酯工业长丝  
单层或者双层  
可以从颜色和宽度直观的辨别工作载荷  
颜色符合DIN-EN1492-1标准, 吊装带上还有吨位线 (每条黑线表示工作拉力1吨)  
吊带的表面既宽又光滑, 起吊物件时既结实又安全  
具有耐磨耐损的高效防护作用  
吊装带配合适当的保护套使用可以避免被尖锐吊件损伤  
安全倍数: 4:1, 5:1, 6:1, 7:1, 8:1  
工作温度: -40°C — 100°C  
按照EC指令2006/42/EC标准生产

Material: 100% high tensile polyester(PES)  
Single ply or double ply  
The working load can be distinguished easily by the colour and the width  
It is colour coded according to DIN-EN1492-1, also it has capacity stripes on the sling (each stripe is equal to 1 ton capacity).  
It can offer wide and smooth load surface to the lifted object.  
It has high protection against the abrasion and damage.  
To avoid being damaged by the sharp objects, it can also be used together with proper protective sleeve.  
Safety factor: 4:1, 5:1, 6:1, 7:1, 8:1 is available.  
Temperature: -40°C to 100°C  
Manufactured according to EC directive 2006/42/EC



### CAUTIONS

- Do not exceed working load limit
- Prevent shock-loading.
- Where selecting a sling it is very important to consider the angles at which the sling will be used.
- Slings are subject to cutting when lifting items with sharp edges. In this case always use wear sleeves.
- Do not use a damaged sling.
- Never make knots in a sling.
- Never drag a sling from underneath a load that is resting on it.
- Chemical active environments can affect the strength of slings.
- Inspect slings weekly or more frequently depending on sling use.
- Always store slings in a cool dry and dark place when they are not in use for prolonged periods.
- Always read and understand the operating instruction before use.

Webbing width 织带宽度 (mm)	Colour coded according to DIN-EN-1492-1 色号标准	Working Load Limit with 1 webbing sling 一根吊带载重限度					Working Load Limit with 2 webbing sling 两根吊带载重限度			
		Straight lift 垂直吊升	Choked lift 拴结吊升	Lift in different angle 不同角度吊升			Straight lift 垂直吊升	Choked lift 拴结吊升	Straight lift 垂直吊升	Choked lift 拴结吊升
				0°-7°	7°-45°	45°-60°				
		1	0.8	2	1.4	1	1.4	1.12	1	0.8
25/30	WLL1T	1000	800	2000	1400	1000	1400	1120	1000	800
50/60	WLL2T	2000	1600	4000	2800	2000	2800	2240	2000	1600
75/90	WLL3T	3000	2400	6000	4200	3000	4200	3360	3000	2400
100/120	WLL4T	4000	3200	8000	5600	4000	5600	4480	4000	3200
125/140	WLL5T	5000	4000	10000	7000	5000	7000	5600	5000	4000
150	WLL6T	6000	4800	12000	8400	6000	8400	6720	6000	4800
200	WLL8T	8000	6400	16000	11200	8000	11200	8960	8000	6400
250	WLL10T	10000	8000	20000	14000	10000	14000	11200	10000	8000
300	WLL12T	12000	9600	24000	16800	12000	16800	13440	12000	9600

Big size 16t, 20t, 30t is available / 可供应16t, 20t, 30t

### Lifting eye types / 吊眼形状

	Flat eye 扁平眼
	Reversed eye 翻转眼
	Folded eye 1/2 width from 1 side 同一方向 1/2 宽折叠眼
	Folded eye 1/2 width from 2 side 两个方向 1/2 宽折叠眼
	Folded eye 1/3 width 1/3 宽折叠眼

### Chemical resistance information chart / 融化学性信息表

Material 材料	Acids 酸	Alkali 碱	Ethers 醚	Aldehydes 醛	Alcohols 酒精	Oils 油	Organic solvents 有机溶剂	Water and seawater 淡水河海水
Polyester 涤纶	OK	NO	NO	NO	OK	OK	OK	OK

\*Disintegrated by concentrated sulfuric acid / 浓硫酸可使其破裂

\*High chemical concentrations and/or higher temperatures will lower the resistance of the sling / 高浓缩化学和/或超高温可降低吊装带的抵抗力



# WEBBING SLING

## 吊装带



### EA 柔性吊装带 Soft Webbing Slings

圆形吊带操作简单有效，表面接触性强。可以通过颜色清楚的辨认出安全工作载荷。标签上带有长度和吨位。圆形吊带内芯由高强合成纤维连续缠绕而成，没有接口，承载力最大。由涤纶编织的管套保护着内芯，没有侧缝。可以在提升过程中有效保护吊带内芯和吊件表面不受损坏。

由高强度合成纤维编织而成，可以从颜色辨别工作载荷  
颜色符合DIN-EN1492-2标准，吊装带上还有吨位线（每条黑线表示工作拉力1吨）  
安全倍数：4:1, 5:1, 6:1, 7:1, 8:1  
材料：管套：100%高强度涤纶  
内芯：100%高强合成纤维  
工作温度：-40°C — 100°C

Round slings are easy to use, efficient in operation and gentle on surface contact. All round slings are color coded to give easy identification of the safe working load. They come with a label giving length and tonnage. The round sling inner core is made from high tensile polyester fibre which is wound continuously without a join to provide the maximum possible strength. This core is protected by a tough woven tubular sleeve also made from polyester without side stitch. It serves to protect both the inner core of the sling and the surface of the product when it is lifting.

It is made by high quality synthetic fibre and high tensile polyester.  
The working load can be distinguished easily by the colour.  
It is colour coded according to DIN-EN 1492-2, also it has capacity stripes on the sling (each stripe is equal to 1ton capacity).  
Safety factor: 4:1,5:1,6:1,7:1,8:1 is available.  
Material: sleeve: 100% high tensile polyester(PES)  
Filling: 100% high quality synthetic fibre  
Temperature: -40°C to 100°C

### CAUTIONS

- Do not exceed working load limit
- Prevent shock-loading.
- Where selecting a sling it is very important to consider the angles at which the sling will be used.
- Slings are subject to cutting when lifting items with sharp edges. In this case always use wear sleeves.
- Do not use a damaged sling.
- Never make knots in a sling.
- Never drag a sling from underneath a load that is resting on it.
- Chemical active environments can affect the strength of slings.
- Inspect slings weekly or more frequently depending on sling use.
- Always store slings in a cool dry and dark place when they are not in use for prolonged periods.
- Always read and understand the operating instruction before use.

Colour 颜色	Colour coded according to DIN-EN-1492-1 色号标准	Working Load Limit with 1 webbing sling 一根吊带载重限度							Working Load Limit with 2 webbing sling 两根吊带载重限度			
		Straight lift 垂直吊升	Choked lift 拴结吊升	Lift in different angle 不同角度吊升					Straight lift 垂直吊升	Choked lift 拴结吊升	Straight lift 垂直吊升	Choked lift 拴结吊升
				0°-7°	Bis 7°	7°-45°	45°-60°	45°-60°				
		1	0.8	2	1.4	1	0.7	0.5	1.4	1.12	1	0.8
Purple 紫色	WLL1T	1000	800	2000	1400	1000	700	500	1400	1120	1000	800
Green 绿色	WLL2T	2000	1600	4000	2800	2000	1140	1000	2800	2240	2000	1600
Yellow 黄色	WLL3T	3000	2400	6000	4200	3000	2100	1500	4200	3360	3000	2400
Grey 灰色	WLL4T	4000	3200	8000	5600	4000	2800	2000	5600	4480	4000	3200
Red 红色	WLL5T	5000	4000	10000	7000	5000	3500	2500	7000	5600	5000	4000
Brown 棕色	WLL6T	6000	4800	12000	8400	6000	4200	3000	8400	6720	6000	4800
Blue 蓝色	WLL8T	8000	6400	16000	11200	8000	5600	4000	11200	8960	8000	6400
Orange 橙色	WLL10T	10000	8000	20000	14000	10000	7000	5000	14000	11200	10000	8000
Orange 橙色	WLL12T	12000	9600	24000	16800	12000	8400	6000	16800	13440	12000	9600

Big size over 12t is available / 可供应12t以上

### Physical information chart / 物理信息表

	Polyester / 涤纶
Elongation at breaking force / 断裂载荷下的弹性伸长率	Ca.12%
Elongation at WLL / 工作载荷下的弹性伸长率	Ca.3%
Elongation-resistance in wet condition / 潮湿环境下的防延伸率	100%
Compared wear-resistance / 相对抗磨力	80
Specific weight / 特别重量	1.38

# CARGO LASHING

## 捆绑器



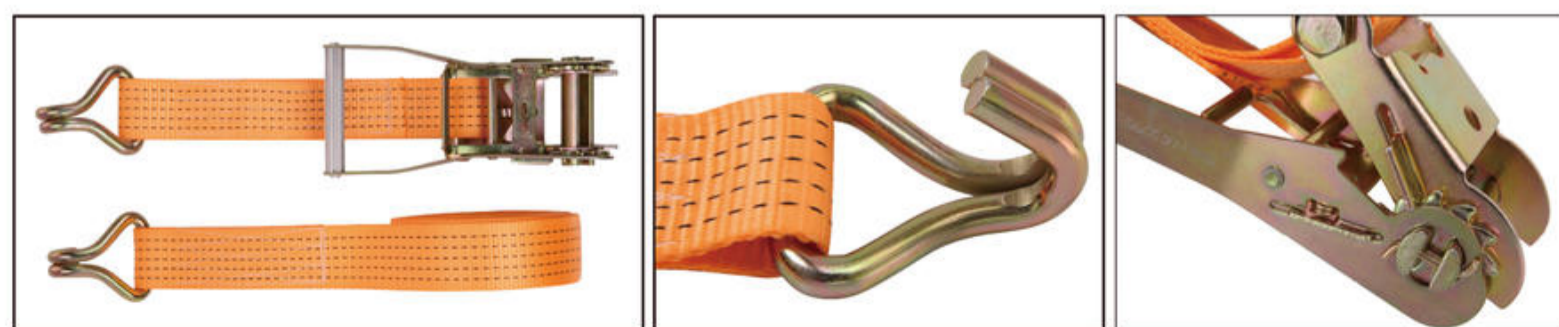
### CL / RTD

- 符合EN12195-2:2000标准
- 最小破断标线：每一道黑线表示一吨的最小破断力
- 每一套一个塑封包装，带有CE合格声明，也可以按订单要求特殊包装
- 捆绑器不能用于起吊或拖拽
- 可以按订单要求定做不同长度
- 可以按价格要求定做不同拉力的捆绑器

**注意：**  
 保护编织带不受高温表面、尖锐棱角和酸性液体的损害；  
 编织带撕裂或磨损或者五金件损坏时切勿使用捆绑器；  
 组合使用捆绑器时要注意工作载荷，牢记组合的强力即是最弱环节的强力；  
 栓紧机头和末端固定配件可以单独供应。

- According to EN12195-2:2000.
- Min.Breaking Strength(M.B.S) stripes: each stripe is equal to 1 tonne M.B.S.
- Each set is packed in plastic with CE declaration of conformity other packing is available at order's request.
- The cargo lashing are not design for overhand lifting or towing.
- More than standard length is available at order's request.
- Different end lifting is available with different cost.

**Caution:**  
 Always protect webbing from hot surfaces, sharp edges and acids.  
 Do not use if webbing is torn or frayed or if hardware is damaged.  
 Observe working load limit (WLL) as started to determine quantity of strap assemblies required for safe operation. Remember all assemblies are only as strong as the weakest link including point of attachment.  
 Spare ratchet and end fittings for cargo lashing is available with extra cost.



零件号 PART NO.	宽度 WIDTH (MM)	工作载荷 W.L.L.		最小破断强度 MIN BREAKING STRENGTH		长度 LENGTH (M)		净重 N.W. (KG)	每箱台数 SETS PER CARTON	外箱尺寸 DIMENSION OF CARTON (CM)
		KGS	LBS	KGS	LBS	FIXED END 固定端	LOOSE END 非固定端			
CL 2501	25	150	330	450	990	0.5	2.5	0.38	90	49*30*29
CL 2502	25	200	440	600	1320	0.5	2.5	0.4	85	49*30*29
CL 2503	25	250	550	800	1650	0.5	2.5	0.42	80	49*30*29
CL 2504	25	300	660	900	1980	0.5	2.5	0.43	75	49*30*29
CL 2505	25	350	770	1000	2310	0.5	4	0.5	60	49*30*29
CL 3801	38	500	1100	1500	3300	0.5	4	0.8	25	49*30*29
CL 3802	38	650	1430	2000	4290	0.5	5.5	1.1	20	49*30*29
CL 3803	38	800	1750	2500	5250	0.5	5.5	1.3	20	49*30*29
CL 5001	50	1000	2200	3000	6600	0.5	7.5	2	12	49*30*29
CL 5002	50	1150	2500	3500	7500	0.5	7.5	2.2	12	49*30*29
CL 5003	50	1350	3000	4000	9000	0.5	7.5	2.4	12	49*30*29
CL 5004	50	1500	3300	4500	9900	0.5	7.5	2.5	12	49*30*29
CL 5005	50	1650	3600	5000	10800	0.5	7.5	2.6	12	49*30*29
CL 7501	75	2250	5000	6800	15000	0.5	8.5	5.1	3	49*30*29
CL 7502	75	2650	5800	8000	17400	0.5	8.5	6.3	3	49*30*29
CL 10001	100	2250	5000	6800	15000	0.5	9.5	5.8	3	49*30*29
CL 10002	100	2650	5800	8000	17400	0.5	9.5	7	3	49*30*29
CL 10003	100	3350	7350	10000	22050	0.5	9.5	8.8	3	49*30*29

# HOOK & LINK

吊钩/吊环

## D型卸扣 D type Shackle



规格 Size		工作负荷(T) Workload	重量(KG) Weight
IN	MM		
1/4	6	0.50	0.05
5/16	8	0.75	0.08
3/8	10	1.00	0.13
7/16	11	1.50	0.20
1/2	13	2.00	0.27
5/8	16	3.25	0.57
3/4	19	4.75	1.19
7/8	22	6.50	1.43
1	25	8.50	2.15
1 1/8	29	9.50	3.06
1 1/4	32	12.00	4.11
1 3/8	35	13.50	5.28
1 1/2	38	17.00	7.23
1 3/4	45	25.00	12.13
2	51	35.00	19.19
2 1/2	63	55.00	32.55

## 弓型卸扣 Anchor Shackle



规格 Size		工作负荷(T) Workload	重量(KG) Weight
IN	MM		
1/4	6	0.50	0.05
5/16	8	0.75	0.09
3/8	10	1.00	0.14
7/16	11	1.50	0.17
1/2	13	2.00	0.33
5/8	16	3.25	0.62
3/4	19	4.75	1.07
7/8	22	6.50	1.64
1	25	8.50	2.28
1 1/8	29	9.50	3.36
1 1/4	32	12.00	4.31
1 3/8	35	13.50	6.14
1 1/2	38	17.00	7.80
1 3/4	45	25.00	12.60
2	51	35.00	20.41
2 1/2	63	55.00	38.90

## 环眼钩 Eye Hook With Latch



320C		320A		重量(KG) Weight
WLL/T	B./L/T	WLL/T	B./L/T	
1/2	2	3/4	3	0.18
3/4	3	2	4	0.27
1	4	1 1/2	6	0.36
1 1/2	6	2	8	0.60
2	8	3	12	1.00
3	12	4 1/2	18	1.70
5	20	7	28	3.90
7 1/2	30	11	44	6.00
10	40	15	60	10.20

## 旋转钩 Swivel Hook With Latch



320C		320A		重量(KG) Weight
WLL/T	B./L/T	WLL/T	B./L/T	
3/4	3	1	4	0.35
1	4	1 1/2	6	0.58
1 1/2	6	2	8	1.04
2	8	3	12	1.18
3	12	4 1/2	18	2.2
5	20	7	28	4.71
7 1/2	30	11	44	7.46
10	40	15	60	10.65

## 羊角钩 Clevis Slip Hook



规格(mm) Size	WLL/T	B./L/T	重量(KG) Weight
6-8	1.2	4.8	0.40
7/8-8	2	8	0.55
10-8	3.2	12.8	0.90
13-8	5.3	21.2	1.60
16-8	8	32	4.10
18/20-8	12.5	50	6.05

## 大开口吊钩 Eye Foundry Hook



规格 Size	WLL/T	B./L/T	重量(KG) Weight
3.2T	3.2	12.8	0.99
3.8T	3.8	15.2	1.30
5.4T	5.4	21.6	2.55
8T	8	32	4.85
12.5T	12.5	50	6.65

# HOOK & LINK

吊钩/吊环



**SAFETY**  
LIFTING



# CHAIN

链条



## G80 / G100

- 材料: 高质量合金钢
  - 表面处理: 原色, 抛光, 发黑氧化, 热浸锌, 电镀锌等
  - 生产标准: ISO, DIN, BS, JIS, ASTM
  - 质量等级: G80, G100
  - 安全系数: 最小为4
  - 产品标志: 特殊标志按客户要求提供
- G80 Lifting Chain
  - Material: high quality alloy steel
  - Surface treatment: self-color, polishing, blackened, hot-dip galvanized, electric galvanized, etc
  - Manufacture standard: ISO, DIN, BS, JIS, ASTM
  - Quality grade: G80, G100
  - Safety factor: min.4
  - Product marking: Special marking can be provided on customer's requirement.



规格 Size d x p mm	宽度 Width(mm)		每米约重 Weight Kg/m	极限工作载荷 W.L.L. T	试验负荷 Test load KN	最小破断负荷 Min. breaking Load KN
	最小内宽 Inside Max.S	最大外宽 Outside Max.F				
6×18	7.5	21	0.79	1.1	27	45.2
7×21	9	24.5	1.07	1.5	37	61.6
8×24	10	38	1.38	2	48	80.4
10×30	12.5	35	2.2	3.2	76	125
11×43	12.6	36.5	2.33	3.8	92	154
12×36	15	42	3.1	4.6	109	181
12.5×38	15.5	42.2	3.3	4.9	117	196
13×39	16.3	46	3.8	5	128	214
14×42	18	49	4.13	6.3	150	250
14×50	17	48	4	6.3	150	250
15×46	20	52	5.17	7	168	280
16×48	20	56	5.63	8	192	320
16×49	24.5	59.5	5.71	8	192	320
16×64	23.9	58.9	5.11	8	192	320
18×54	23	63	6.85	10	246	410
18×64	21	60	6.6	10	246	410
19×57	23.7	63.2	7.7	11.3	270	450
20×60	25	70	8.6	12.5	300	500
22×65	28	74.2	10.7	15.3	366	610
22×66	28	77	10.2	15.3	366	610
22×86	26	74	9.5	15.3	366	610
24×72	32	82	12.78	18	432	720
24×86	28	79	11.6	18	432	720
26×78	35	91	14.87	21.3	510	850
26×92	30	86	13.7	21.3	510	850
30×90	38	105	19.6	28.3	678	1130
30×108	34	98	18	28.3	678	1130
32×96	40	106	22.29	32.2	772	1286
34×126	38	109	22.7	36.3	870	1450
34×102	46.5	121.5	25.5	36.3	870	1450
36×108	49.5	128.5	31	40.7	978	1630
38×137	42	121	29	45.3	1086	1810
38×114	52	136	32	45.3	1086	1810
42×126	55.5	144.5	38.6	55.4	1332	2200

# CHAIN RIGGING

链条索具



用于顶部空间受限的车间和维修区域，带有便携式液压起重机，提升经过平衡处理和未经平衡处理的重物。

Machine shops and maintenance areas where headroom is limited, with portable hydraulic cranes and balanced or unbalanced loads.

- 可调整链条锁具
- 链条经过合格性检验并且供货时带有检验证书
- 用于提升异形，难以确定提升位置的物体，使用1个或2个起升点进行提升
- Adjustable Chain Sling
- Chain to be proof tested and supplied with certificate of test
- Handle odd-shaped, hard-to-position loads using either 1- or 2- point lifts

Chain Size (mm)	Single leg slings			2, 3, or 4 slings						Endless slings			
	Straight Sling	Adjustable Sling	Reeved Sling	Straight Sling			Reeved Sling			Basket Sling			Reeved Sling
				60°	90°	120°	60°	90°	120°	60°	90°	120°	
6.0	1.2	1.2	0.95	2.2	1.7	1.2	1.6	1.3	0.95	1.6	1.3	0.95	1.9
7.1	1.6	1.6	1.2	2.8	2.3	1.6	2.1	1.7	1.2	2.1	1.7	1.2	2.4
8.0	2.0	2.0	1.5	3.5	2.8	2.0	2.6	2.1	1.5	2.6	2.1	1.5	3.0
10.0	3.2	3.2	2.4	5.5	4.5	3.2	4.1	3.4	2.4	4.1	3.4	2.4	4.8
13.0	5.4	5.4	4.0	9.4	7.6	5.4	7.0	5.7	4.0	7.0	5.7	4.0	8.1
16.0	8.0	8.0	6.0	13.8	11.3	8.0	10.4	8.5	6.0	10.4	8.5	6.0	12.0
20.0	12.5	12.5	9.4	21.6	17.6	12.5	16.3	13.3	9.4	16.3	13.3	9.4	18.8
22.0	15.5	11.6	11.6	26.8	21.9	15.5	20.1	16.4	11.6	20.1	16.4	11.6	23.2
26.0	21.6	16.2	16.2	37.4	30.3	21.6	28.0	22.9	16.2	28.0	22.9	16.2	32.4
32.0	32.8	24.6	24.6	56.8	46.4	32.8	42.6	34.8	24.6	42.6	34.8	24.6	49.2

\* 表中所给出的值都达到或者超过了AS3776.2的最低要求，并且是以吨即1000kg为单位来表达。

\* The values expressed on this table exceed or meet the minimum requirements of AS3775.2 and stated in tonnes of 1000kg.

# LIFTING CLAMP

起重吊钳

## L型 钢板起重钳

L-type lifting clamp

型号 Model	额定载荷(t) Standard Capacity	开口尺寸(mm) Opening Size	净重(KG) Weight
L0.8	0.5	0-15	2
L1	1.0	0-20	4
L1.6	1.6	0-25	6.5
L2.5	2.5	0-30	11
L2.5(B)	2.5	25-50	11
L3.2	3.2	0-40	12.5
L3.2(B)	3.2	30-60	12.5
L5	5.0	0-50	19
L5(B)	5.0	50-80	20

\* 每四个为一组使用 / For each of the four groups



## CDH 竖吊钢板起重钳

Vertical steel plate lifting clamp

型号 Model	额定载荷(t) Standard Capacity	开口尺寸(mm) Opening Size	净重(KG) Weight
CDH0.8	0.5	0-16	2.8
CDH1	1.0	0-22	5.15
CDH2	2.0	0-30	7.33
CDH3.2	3.2	0-35	10
CDH5	5.0	0-50	17
CDH8	8.0	0-60	26
CDH10	10.0	0-80	32
CDH12	12.0	25-90	48
CDH16	16.0	60-125	80

\* 每二个为一组使用 / For each of the two groups



## DFM 模锻翻转起重钳

Overturn lifting clamp

型号 Model	额定载荷(t) Standard Capacity	开口尺寸(mm) Opening Size	净重(KG) Weight
DFM1	1.0	0-15	2.7
DFM2	2.0	0-20	5.6
DFM3	3.0	10-30	8
DFM5	5.0	15-45	16

\* 每四个为一组使用 / For each of the four groups



# PULLEY

滑车

名称 Description	型号 Model	额定起重量(t) Standard Capacity	试验载荷(KN) Testing Load	钢丝绳直径(mm) Wire Rope Dia		轮槽直径 (mm) Sheave Dia	机体重量(kg) Weight
				适用 Proper	最大 Maximum		
单轮开口吊钩和链环型滑车 Single Wheel Ring Type & Open Hook Pulley	SY(L)KI-0.5	0.5	8	6.2	7.7	71	1.75
	SY(L)KI-1	1	16	7.7	11	85	3.25
	SY(L)KI-2	2	32	11	14	112	6
	SY(L)KI-3.2	3.2	51.2	12.5	15.5	132	10.5
	SY(L)KI-5	5	80	15.5	18.5	160	19
	SY(L)KI-8	8	128	20	23	210	35.2
	SY(L)KI-10	10	160	23	24.5	240	50.5
SY(L)KI-16	16	224	28	31	315	113.5	
SY(L)KI-20	20	280	31	35	355	162.2	

名称 Description	型号 Model	额定起重量(t) Standard Capacity	试验载荷(KN) Testing Load	钢丝绳直径(mm) Wire Rope Dia		轮槽直径 (mm) Sheave Dia	机体重量(kg) Weight
				适用 Proper	最大 Maximum		
双轮开口吊钩和链环型滑车 Double Wheel Ring Type & Open Hook Pulley	SY(L)2-1	1	16	6.2	7.7	71	3.15
	SY(L)2-2	2	32	7.7	11	85	6
	SY(L)2-3.2	3.2	51.2	11	14	112	11
	SY(L)2-5	5	80	12.5	15.5	132	20
	SY(L)2-8	8	128	15.5	18.5	160	35
	SY(L)2-10	10	160	17	20	180	47
	SY(L)2-16	16	224	23	24.5	240	75.2
SY(L)2-20	20	280	26	28	280	138.9	
SY(L)2-32	32	448	31	35	355	237.5	

名称 Description	型号 Model	额定起重量(t) Standard Capacity	试验载荷(KN) Testing Load	钢丝绳直径(mm) Wire Rope Dia		轮槽直径 (mm) Sheave Dia	机体重量(kg) Weight
				适用 Proper	最大 Maximum		
三轮开口吊钩和链环型滑车 Triple Wheel Ring Type & Open Hook Pulley	SY(L)3-3.2	3.2	51.2	7.7	11	85	8.2
	SY(L)3-5	5	80	11	14	112	16.83
	SY(L)3-8	8	128	12.5	15.5	132	18
	SY(L)3-10	10	160	15.5	18.5	160	47
	SY(L)3-16	16	224	17	20	190	49.79
	SY(L)3-20	20	280	20	23	210	69.59
SY32	32	448	26	28	280	187.8	
SY50	50	700	31	35	355	360	

\*可按客户要求生产4轮、5轮、6轮、8轮和10轮的滑车  
\*The 4-wheel, 5-wheel, 6-wheel, 8-wheel and 10-wheel pulleys are available on customer's request



# SKID ROLLER

搬运小坦克

## CRB 定向搬运坦克车 Directional Moving Skates



型号 Model	额定载荷 WLL (tons)	轮子数量 Number of Wheels (pcs)	重量 Weight (kg)	包装尺寸 Package Size (mm)
CRB6	6T	4	15	300×225×110
CRB8	8T	6	21	400×225×110
CRB12	12T	8	30	500×225×110
CRB15	15T	9	32	400×313×110
CRB18	18T	12	43	500×313×110
CRB24	24T	16	65	550×380×115
CRB30	30T	20	79	690×380×115
CRB36	36T	25	95	690×465×115

- 采用优质低碳合金钢制造
- 轮子表面附着高强度复合材料
- 搬运过程中不得碰撞被搬运物
- 搬运路面须为光滑地坪

- Manufactured from high quality carbon steel
- Duration oiled metal wheels with polyurethane cover
- Avoid snatch or shock loading
- The load can be lifted using either the roller crowbar or a jack, allowing the rollers to be easily positioned
- the skid rollers are maintenances free and fitted with handles for ease of carrying and positioning

## CRD 转向搬运坦克车 Turnable Moving Skates



型号 Model	额定载荷 WLL (tons)	轮子数量 Number of Wheels (pcs)	重量 Weight (kg)	包装尺寸 Package Size (mm)
CRD6	6T	4	14	300×230×110
CRD8	8T	6	20	400×230×110
CRD12	12T	8	32	500×230×110

- 采用优质低碳合金钢制造
- 承重能力大，转向灵活，可配带操纵杆
- 搬运路面须为光滑地坪，请勿超载使用

- Manufactured from high quality carbon steel
- High load-bearing capacity, flexible steering, can be with a joystick.
- The carrying surface should be a smooth floor. Please do not overload.

# MECHANICAL JACK

手摇跨顶

型号 Model	SY - C5.0	SY - C10	SY - C16	SY - C20
额定载荷 Rated capacity (t)	5.0	10	16	20
试验载荷 Test load (kn)	61.3	122.5	196	245
满载手动力 The hand power of full load (n)	280	560	640	640
行程 Distance (mm)	300	300	300	300
起升高度 Lifting height (mm)	25-725	30-800	40-800	40-860
净重 Net weight (kg)	29.5	50	69	80
尺寸 Meas. (cm)	75*21*25	82*27*31	85*29*35	90*38*30



# CRANE SCALE

电子秤



- 精确度高, 抗震防水
- 开/关时有自动压力显示
- 电池电量损失太多后自动关闭
- 过载提醒显示, 低压报警, 电池电量过低报警
- 良好的动态称重系统, 称重结果不受摆动的影响

- High Accuracy, Shock-proof and Waterproof
- Auto pressure display when shut on/off
- Auto shut off for preventing of battery loss
- Overload remind display, low pressure warning, low battery warning
- Good dynamic weight system, weight result not subject to influence of swaying

型号 Model	载重量 Capacity (kg)	净重量 N.W. (kg)	分度 Division (kg)
CS5000-1	4-1000	11.9	0.2
CS5000-2	10-2000	11.9	0.5
CS5000-3	10-3000	11.9	0.5
CS5000-5	20-5000	18.7	1
CS5000-10	40-10000	24.1	2

# PERMANENT MAGNETIC LIFTER

永磁吸盘



型号 Model	拉力 Lifting Capacity (kg)	尺寸 Dimension L*W*H (cm)	破断拉力 Max Breakaway Force (kg)	净重 Net Weight (kg)	毛重 Gross Weight (kg)
SY - 100	100	25*16*16	300	3	4
SY - 400	400	32*20*17	1200	10	11
SY - 600	600	37*23*21	1800	20	22
SY - 1000	1000	43*28*24	3000	37	40
SY - 2000	2000	52*30*31	5000	68	74
SY - 3000	3000	60*30*31	7500	87	93
SY - 4000	4000	68*30*41	10000	113	121
SY - 5000	5000	73*40*48	12500	198	213

# SPRING BALANCER

弹簧拉力平衡器

- 与操作工具一起使用的辅助工具
- 能够减轻操作工具的重量, 大大降低操作者的劳动强度
- Auxiliary tool used together with operation tools
- Make the operational tools weightless and reduce the labor intensity of operators largely



型号 Model	载荷 Capacity (kg)	行程 Stroke (m)	净重 Net Weight (kg)
ORM-3.0	1.0-3.0	1.3	1.3
ORM-4.5	3.0-4.5	1.3	1.3
ORM-9	4.5-9.0	1.3	3.4
ORM-15	9-15	1.3	3.8
ORM-22	15-22	1.5	7.2
ORM-30	22-30	1.5	7.6
ORM-40	30-40	1.5	9.8
ORM-50	40-50	1.5	10.4
ORM-60	50-60	1.5	11.6
ORM-70	60-70	1.5	11.8
ORM-80	70-80	1.5	18
ORM-100	80-100	1.7	18.6
ORM-120	100-120	1.7	19.6
ORM-140	120-140	1.7	20.6
ORM-160	140-160	1.7	22

# Hand Winch

手摇绞盘

**BQC** 自锁式手摇绞盘  
Hand winch with brake



型号 Model	额定载荷 WLL (kg)	钢丝绳直径与长度 Wire rope diameter and length	破断强度 Breaking strength (kg)	齿速比 Gear Ratio
BQC600	250	4.0*8	375	3.2 : 1
BQC800	350	4.0*8	525	3.2 : 1
BQC1000	450	4.0*8	675	4.1 : 1
BQC1200	550	4.0*8	825	4.1 : 1
BQC1400	600	4.0*8	900	4 : 1
BQC1600	700	5.0*8	1050	4 : 1
BQC1800	800	5.0*8	1200	4.1 : 8.1
BQC2000	900	5.0*8	1350	4.1 : 8.1
BQC2500	1100	5.0*8	1650	4.1 : 8.1

- 自动刹车装置，操作安全
- 找好合适的固定点，固定底盘
- 给手柄预留出足够的活动空间
- 当绞车钢丝绳拉着货物，且绞车卷筒保持不动时，刹车自动开启

- Automatic brake device, using more safe
- Find the right fixed point, fix the chassis
- Save enough space for the handle
- When the winch's wire rope holding the goods and the winch's drum keeps stationary, the brake will be opened automatically.

**CDL** 自锁式手摇绞盘  
Hand winch with brake



型号 Model	额定载荷 WLL (lb)	钢索扬程 Steel Cable Length	重量 Net Weight (kg)	箱/台 Pack/PCS
CDL1200	1200	4mm*35M	3.8	9
CDL1800	1800	5mm*50M	8.0	4
CDL2600	2600	5mm*50M	10.2	4

- 齿轮经热处理，咬合度高
- 轮盘光滑整洁，均匀喷漆
- 插头在抓力增加的时候会锁住

- The gear is treated by heat treatment and of high occlusal.
- The wheel is smooth and neat, evenly painting.
- The plug will lock automatically when the capacity increases.

# RATCHET PULLER

JHW型钢索荷缔机

- 结构紧凑，使用灵活，操作简单
- 高密度齿轮，优质碳钢一体结构
- 360度旋转，附自动刹车装置，安全保障
- 经特殊热处理，耐磨坚韧，不变形

- Compact structure, flexible use, simple operation
- High density gear and high quality carbon steel structure
- 360 degree rotation, with automatic brake device, safety guarantee
- Special heat treatment, durable and tenacious, not deformation

型号 Model	安全载荷 Safe load (t)	钢索直径×长度 Wire diameter × length (mm)	尺寸 Size (mm)	净重 Net Weight (mm)
JHW-1000	1.0	5×2800	580	3.30
JHW-1500	1.5	6×2800	680	4.35
JHW-2000	2.0	6×2800	680	4.70



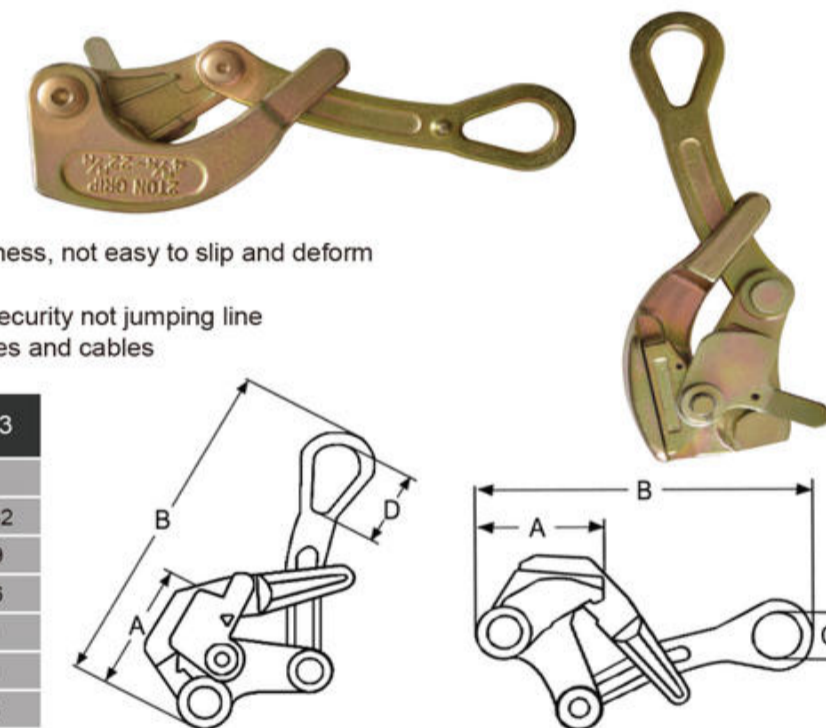
# JX TYPE CABLE GRIP

JX型夹线器

- 经过特殊热处理，抗张力强，合度高，不易滑脱变形
- 带有精致光滑的钳口，对导线损伤极小
- 钳口配有防片保险装置，保障安全不跳线
- 半月形加爪设计适合于各类钢制绳索、线缆

- With special heat treatment, tensile strength, high degree of actness, not easy to slip and deform
- With delicate and smooth tongs, minimal damage to wire
- Clamp mouth equipped with anti-chip insurance device, report security not jumping line
- The design of the half-moon is suitable for all kinds of steel cables and cables

型号 Model	JX-0.5	JX-1	JX-2	JX-3
额定载重量(t) Rated capacity	0.5	1	2	3
开口规格(mm) Open specifications	1-10	2.5-16	4-22	16-32
主要尺寸(mm) Main dimensions	A	55	71	91
	B	131	189	248
	C	16	25	25
	D	16	37	42
净重(kg) Net weight	0.4	0.75	1.4	2.5



# MULTIFUNCTIONAL TIGHTENERS

多功能紧线器

型号 Model	1T	2T	4T
钢丝绳长度(M) Wire rope length	2M	2M	3M
钢丝绳直径(mm) Wire rope diameter	4mm	4mm	5mm
活动端脱钩	单绳	双绳带/吊滑轮	双绳带/吊滑轮
两钩尺寸(M) Two hook size	收紧	0.45m	0.47m
	拉开	2.2m	1.3m
净重(kg) Net weight	2.1	2.3	4.4



- 整体采用加强型钢制材料
- 用棘轮机械张紧，使用简便，张紧预应力大
- It is made of reinforced steel materials
- Tensioning with ratchet machine